

Monobloc Kitchen Mixer

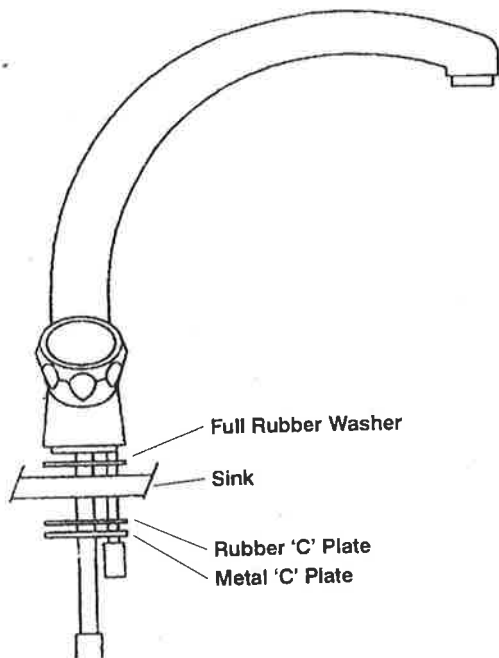
Fitting Instructions & Contents List



Water Pressure

This mixer is suitable for all supply pressures. If installed at a low pressure, then the minimum height from the outlet of the nozzle to the underside of the cold tank should be 1.5 metres to ensure adequate performance.

This mixer should be installed in compliance with Water Regulations. For further details contact your Local Water Authority.



Installation

1. Identify all components before arranging installation
2. Fit the mixer body to the sink using the 'C' plate fixing kit
The full rubber washer goes between the fitting and the sink, and the 'C' shaped rubber and metal washers on the underside of the sink.
3. Fit the tail pipes to the fitting and connect the hot and cold supplies.
4. Fully open both valves, letting them run for a few minutes to flush the system.
5. Check all joints and connections for leaks.
6. See below for aftercare instructions.

Maintenance

If the fitting begins to drip

1. Turn off the water supply
2. Remove head cap, fixing screw and remove head and valve.
3. Carefully clean seating and rubber washer.
4. Replace valve and turn on the water supply.

Aftercare Instructions

Whilst modern plating techniques are used in the manufacture of these fittings the surfaces will wear if cleaning incorrectly, the only safe way to clean your mixer is to wipe with a soft damp cloth. Stains can be removed using washing up liquid. All cleaning powders and liquids will damage the surface of your fitting even the non-scratch cleaners.

Guarantee

15 year guarantee on the tap body and a 10 year guarantee on the valve to cover any defect in manufacture.

NOTE:-the 10 year guarantee on the valves is invalidated if damaged by any waterborne debris.

Please keep these instructions for future reference and for the request of spare parts

For further technical help or advice please contact your local branch or visit www.iflo.co.uk