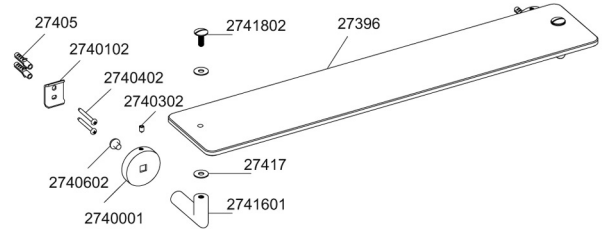
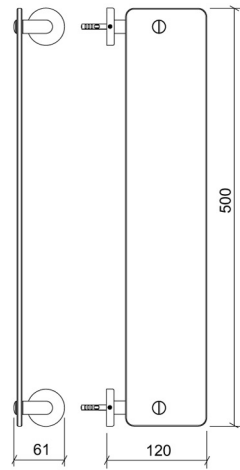


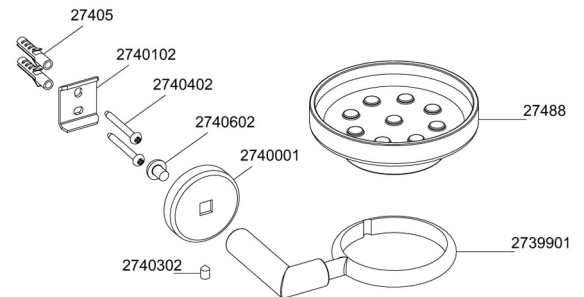
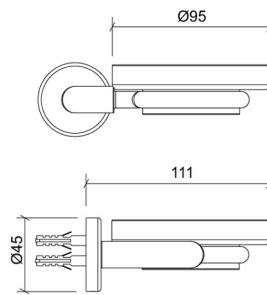
Description : Shelf Glass

Code No : 44776 **Chrome**



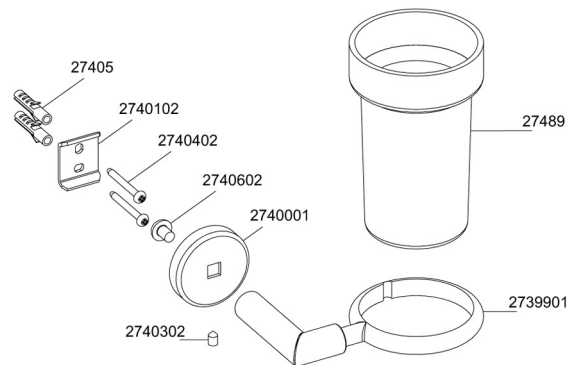
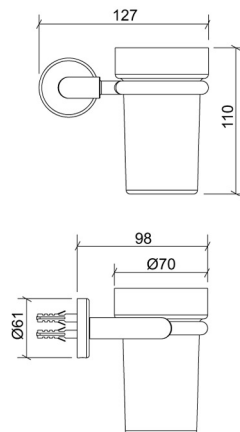
Description : Soap Dish

Code No : 44777 **Chrome**



Description : Toothbrush Holder

Code No : 44780 **Chrome**



Part No	Part Name
27396	Shelf Glass
27405	Dowel / 6x30
27417	Seal
27488	Soap Dish Glass
27489	Toothbrush Holder Glass
2739901	Body - Toothbrush Holder
2740001	Rosette
2740102	Wall Connection Part
2740302	Screw / M5x8 DIN 916
2740402	Screw / St 4.2x32 DIN ISO 7049

Part No	Part Name
2740602	Screw / M6x10 DIN 745
2741601	Body - Shelf Glass
2741802	Screw / M6x20

Part No	Part Name