

Mira Mode Maxim Dual Shower Ceiling Fed / Rear Fed



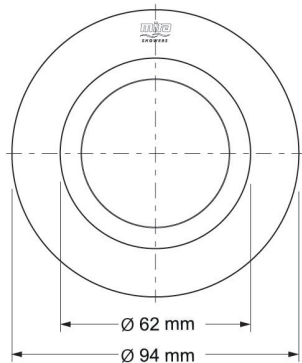
Rear Fed - High Pressure - 1.1907.001

Rear Fed - Pumped For Gravity - 1.1907.002

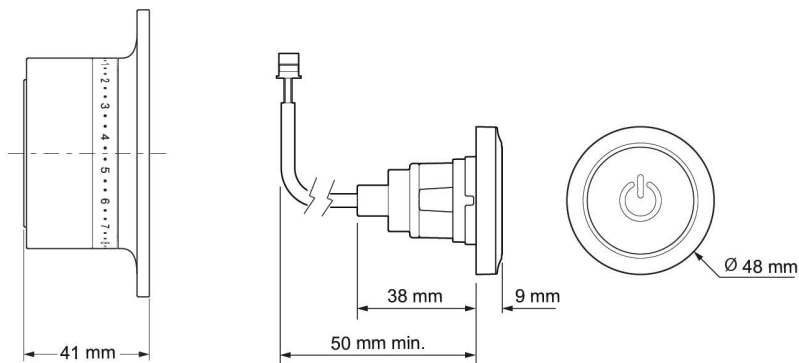
Ceiling Fed- High Pressure - 1.1907.003

Ceiling Fed - Pumped For Gravity - 1.1907.004

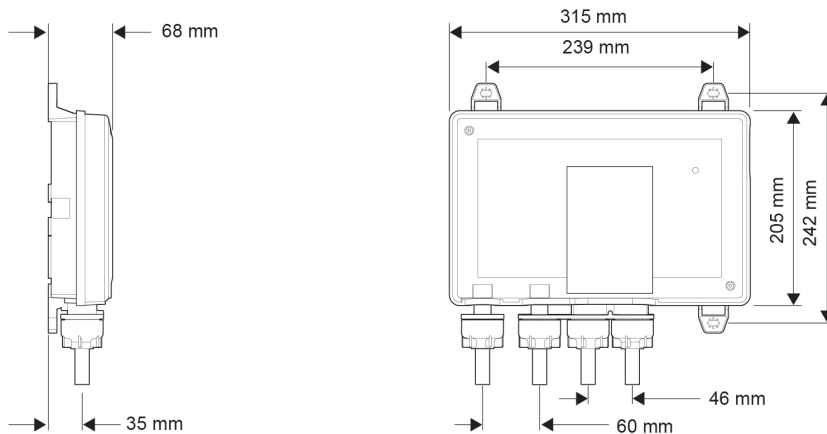
Digital Controller



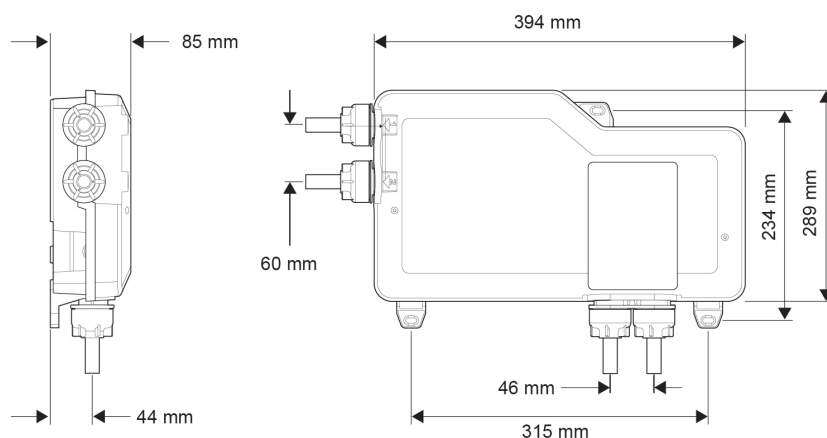
Remote Start/Stop



High Pressure



Pumped



To download other resources, and for more information and advice on our products just visit:
www.mirashowers.co.uk

Mira Mode Maxim Dual Shower Ceiling Fed / Rear Fed

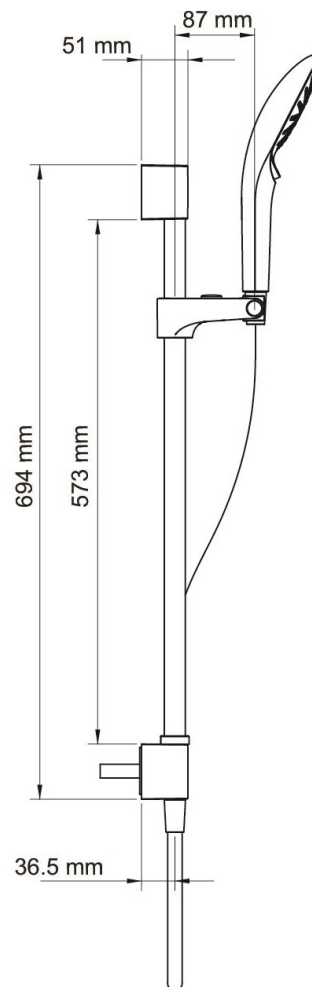
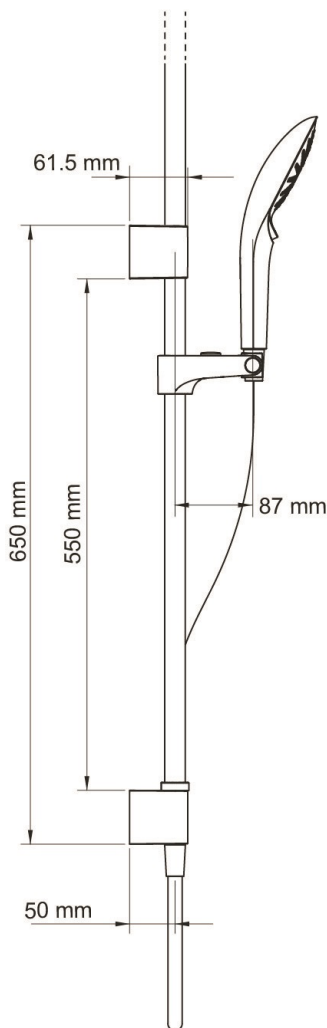
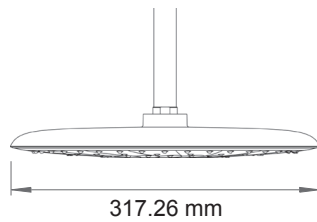
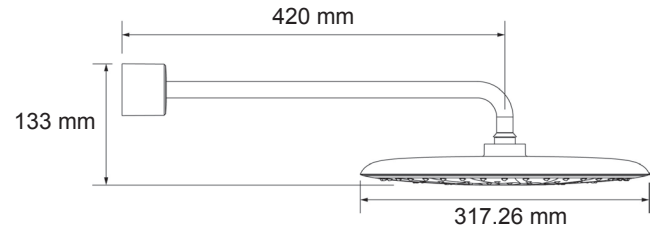


Rear Fed - High Pressure - 1.1907.001

Rear Fed - Pumped For Gravity - 1.1907.002

Ceiling Fed- High Pressure - 1.1907.003

Ceiling Fed - Pumped For Gravity - 1.1907.004



To download other resources, and for more information and advice on our products just visit:
www.mirashowers.co.uk