

# VitrA S50

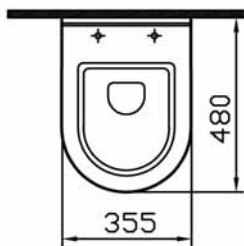
CI/SfB			
	(74)		
2007			

**Description** : S50 Wall-hung WC Pan  
**Code-No.** : 5320  
**Compatible items:** 57 duraplast toilet seat  
**Weight (kg)** : 20.4  
**Fixings** : Wall-hung cradle (not supplied)  
**Materials** : Vitreous china to BS 3402  
**Colours** : White (003)

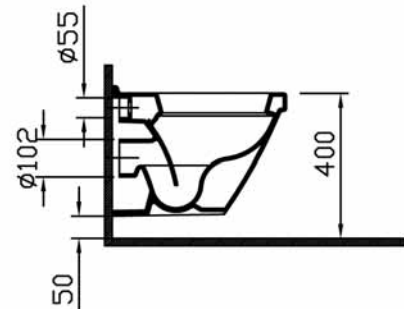


NBS Plus

1



2



3

