

TECHNICAL DATA SHEET

Product Code:

116530

Description:

The Gap Double-ended Rectangular Acrylic Bath

Specification:

Size: L 1700mm, W 750mm, H 540mm

Material: Acrylic

Finish: White

Installation Type: With Feet / Front & Side Panels

Clean immediately after use to stop the build-up of dirt and limescale. Use warm soapy water and rinse down with cold water, wiping down with any dry soft cloth.

The use of a cream cleaner is acceptable if there is a build-up of limescale. The occasional use of limescale removers is acceptable following the manufacturer's instructions, rinsing off with cold water immediately after use.

Use T-Cut and a soft cloth to fix minor surface marks (acrylic baths only).

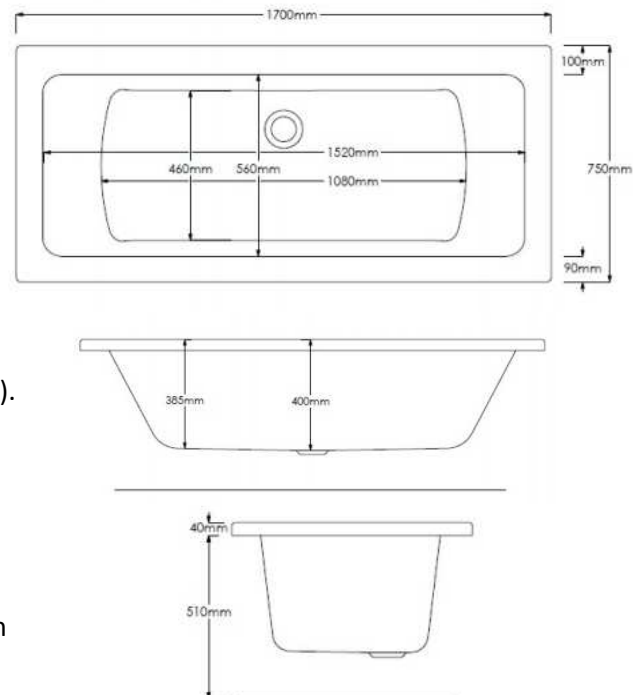
Do not use household chemicals or abrasive products such as hair dye, nail varnish remover, paint strippers, strong disinfectants, aftershave and household bleach. Some soaps and shampoos can permanently discolour acrylic if allowed to pool undiluted for any length of time.

Do not have lit cigarettes or naked flames near the acrylic as it can burn and melt.

Product Image:



Technical Drawing:



'The information contained within this specification sheet is believed to be correct and complete at the time of creation. All photographs / drawings are as a guide only and do not necessarily represent the products available. Travis Perkins PLC reserves the right to change product details and price without prior notice. E&OE.'