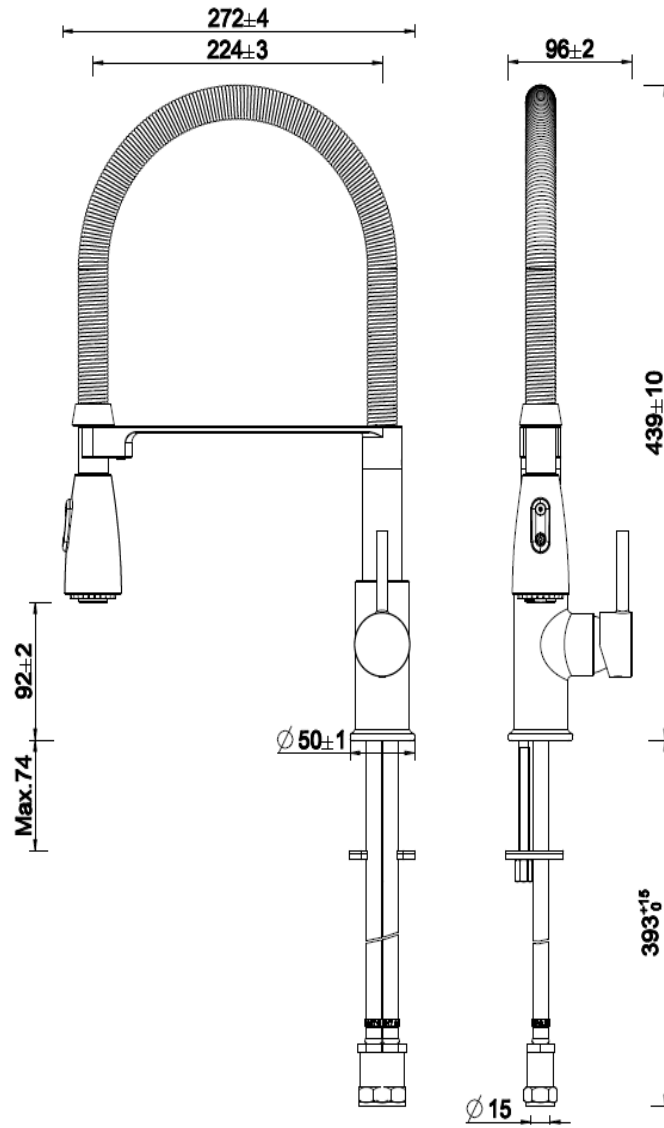


# 546880 - Albi Tight Coil Sink Mixer Chrome

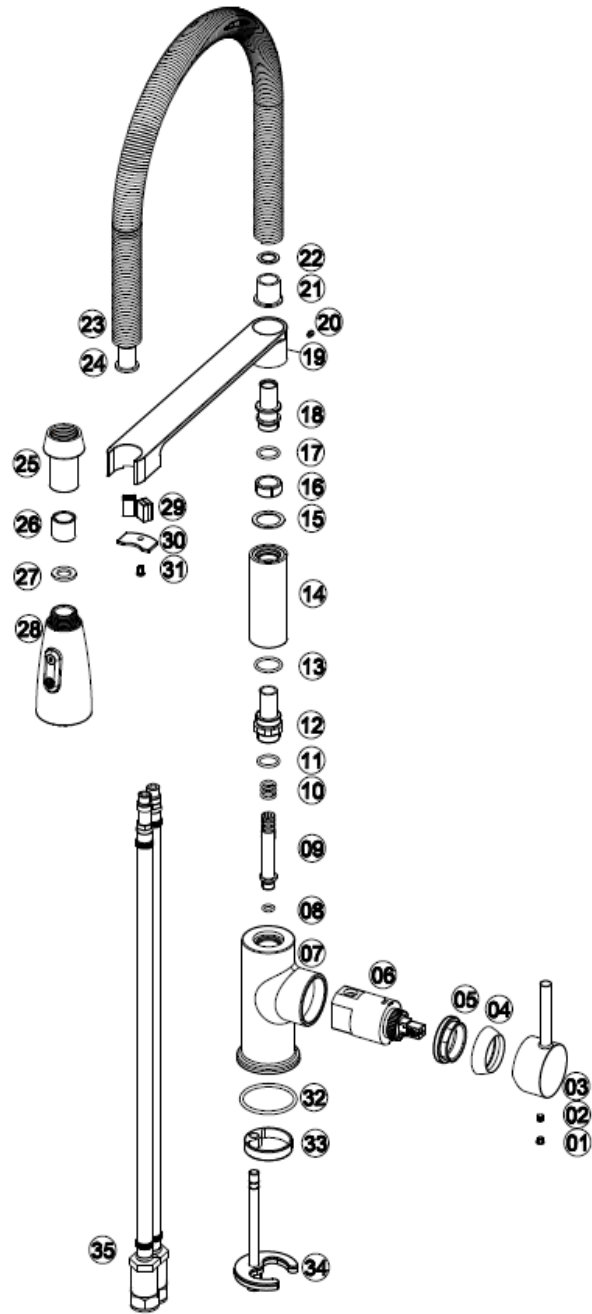
Useful Information	
Minimum operating pressure	1.5 bar
Maximum operating pressure	5 bar
Guarantee length	5 years



Technical Diagram



Exploded Diagram



Item Number	Supplier Ref	Description	Quantity	Material	Spares Available
1	P67	Indice	1	ABS	Yes
2	SC5-4SN	Screw	1	Stainless Steel	Yes
3	167024-H	Handle	1	ZINC	Yes
4	S278	Valve Cover	1	BRASS	Yes
5	N31-G	Cartridge Clamp	1	BRASS	Yes
6	LT35D-11	Cartridge Assembly	1	Ceramic Disc+PPM+NBR+BRASS	No
7	177005-01	Tap Body	1	ZINC	No
8	OR074	O ring	1	EPDM	No
9	177005-N3	Adaptor	1	POM	No
10	OR186	O ring	3	EPDM	No
11	OR109	O Ring	1	EPDM	No
12	137040-N18	Adaptor	1	BRASS	No

13	OR034	O ring	1	EPDM	No
14	177014-N1	Connect Tube	1	Stainless Steel	No
15	M9004-02-03	Washer	1	POM	No
16	M9004-02-02	Block Ring	1	POM	No
17	OR003	O Ring	1	EPDM	No
18	177014-N2	Adaptor	1	BRASS	No
19	177014-N6	Handset Holde	1	ZINC	No
20	SC4-5.5SND	Screw	1	Stainless Steel	No
21	137040-N2	Block Ring	1	POM	No
22	177014-N9	Washer	1	BRASS	No
23	177014-N5	Spring Spout	1	Stainless Steel	No
24	BZG12-600	Braided Connectors	1	Stainless Steel+BRASS+EPDM	No
25	177014-N3	Adaptor	1	BRASS	No
26	177014-N4	Adaptor	1	STEEL	No
27	N34-B	Washer	1	EPDM	No
28	HS137040	Kitchen Shower	1	ABS+POM	Yes
29	177014-N8	Magnet	4	Sintered ndfeb	No
30	177014-N7	Block Ring	1	Stainless Steel	No
31	SC4-6P	Screw	1	Stainless Steel	No
32	OR111	O ring	1	EPDM	Yes
33	177005-N6	Flange	1	BRASS	
34	N28-M	Fixing kit	1	Steel+NBR+Brass	Yes
35	BZG10-1/2"-350-03	Braided Connectors	1	Stainless Steel+BRASS+EPDM+POM	Yes

## Flow Rates

Pressure □ bar)	Flow rate matrix			Pressure □ bar)	Flow rate matrix		
	Hbt	Col d	M xer		Hbt	Col d	M xer
	Wth aer ator ( bubbl ing)				( spray)		
0.1	0.90	0.92	0.94	0.1	1.08	1.08	1.10
0.2	1.32	1.32	1.34	0.2	1.62	1.58	1.66
0.3	1.66	1.66	1.70	0.3	1.98	1.92	2.06
0.4	1.88	1.90	1.92	0.4	2.30	2.26	2.38
0.5	2.14	2.12	2.18	0.5	2.54	2.58	2.76
1.0	2.96	2.94	3.00	1.0	3.70	3.78	3.86
1.5	3.70	3.60	3.80	1.5	4.59	4.50	4.71
2.0	4.32	4.22	4.38	2.0	5.31	5.25	5.46
3.0	5.32	5.26	5.44	3.0	6.54	6.46	6.72
4.0	6.22	6.10	6.30	4.0	7.53	7.59	7.83
5.0	6.96	6.88	7.08	5.0	8.61	8.61	8.84

## FAQ

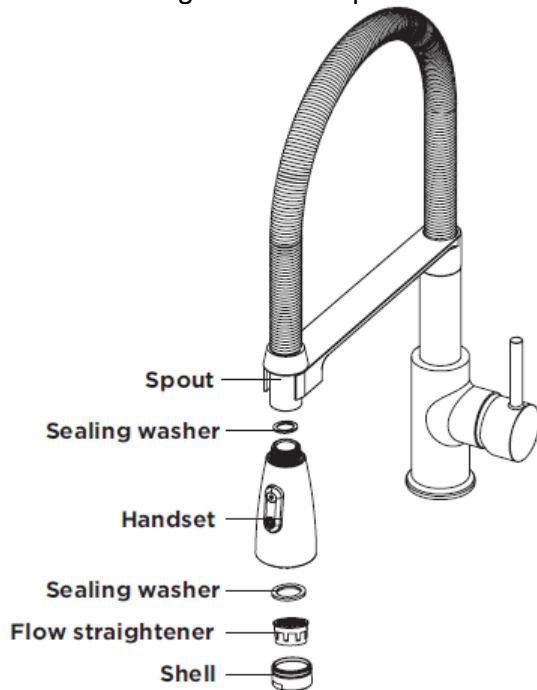
### What should I do if my tap is dripping/leaking?

Cleaning the valve (if water dripping from tap)

Before carrying out any maintenance, turn off the mains water supply. If

unsure contact a qualified tradesman.

1. Remove the Handset and sealing washer from the spout.
2. Remove the shell, flow straightener and sealing washer from the spout, clean thoroughly under cold water to remove any build up of limescale or debris.
3. Re-fit the flow straightener, sealing washer and shell to handset, then fit handset and sealing washer to spout.



#### **What does the Guarantee Cover?**

The Guarantee Covering leakage, manufacturing defects and Chrome plating

The guarantee does not cover:

- Damage or defects caused by:
  - general wear and tear (including special non-chrome finishes; components such as filters, seals, 'O' rings and washers)
  - incorrect installation
  - repair using non- PPI parts
  - accidental or wilful misuse
  - corrosion and the use of inappropriate cleaning products.
  - system debris including the build up of limescale (which can be controlled through regular servicing and maintenance).
- Compensation for loss of use of the product or consequential loss of any kind.