

TECHNICAL DATA SHEET



Product Code: 424880

Product Description: iflo Belaya Bath Filler

Product Specification

Material:

Solid brass tap body with chrome plated finish

3/4" CD Valve, quarter turn



Systems:

Minimum Operating pressure 0.1 bar

Maximum operating pressure 5bar

Suitable for high and low pressure systems

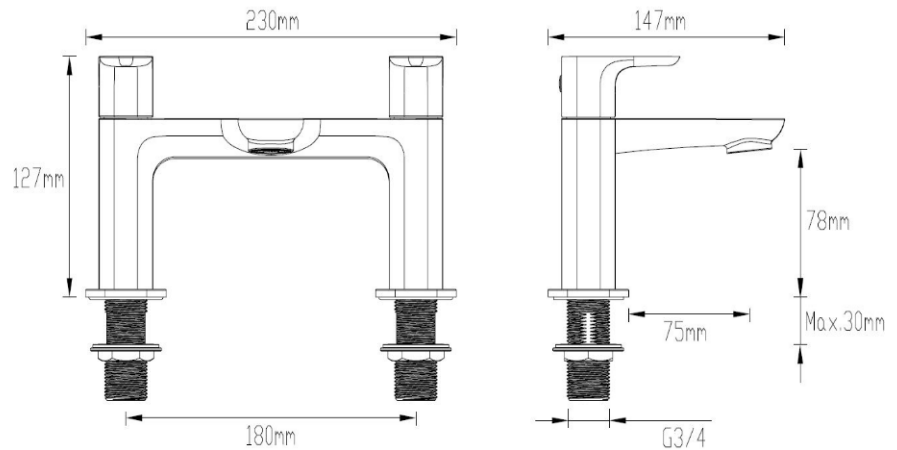
Additional Information

Do not clean with abrasive cleaning products

Always inspect before installation

Lever style handles for ease of use

Easy to install



Reversible

WRAS approved

0.1 bar			0.2 bar			0.3bar			0.5 bar			1 bar			1.5bar			2 bar			3 bar			5bar		
Full cold	Full hot	Mixed	Full cold	Full hot	Mixed	Full cold	Full hot	Mixed	Full cold	Full hot	Mixed	Full cold	Full hot	Mixed	Full cold	Full hot	Mixed	Full cold	Full hot	Mixed	Full cold	Full hot	Mixed	Full cold	Full hot	Mixed
4.95	4.95	11.1	6.1	6.7	15.1	8.2	8.2	17.8	10.35	10.35	21.1	18.9	20.2	29.7	25.5	25.4	40	29.3	28.7	45.8	33.2	34.8	56.3	41	41.8	71



'The information contained within this specification sheet is believed to be correct and complete at the time of creation. All photographs / drawings are as a guide only and do not necessarily represent the products available. Travis Perkins PLC reserves the right to change product details and price without prior notice. E&OE.' [04/2013]