

# TECHNICAL DATA SHEET

Product Code: 805783

Product Description: standard lever b/s/m

Product Image:



## Product Specification

Dimensions: 153 X 230 X 100 mm

Materials: body: CC757S

Fitting: Manual including fitting instructions enclosed

Standards: BS EN 200

Approvals:

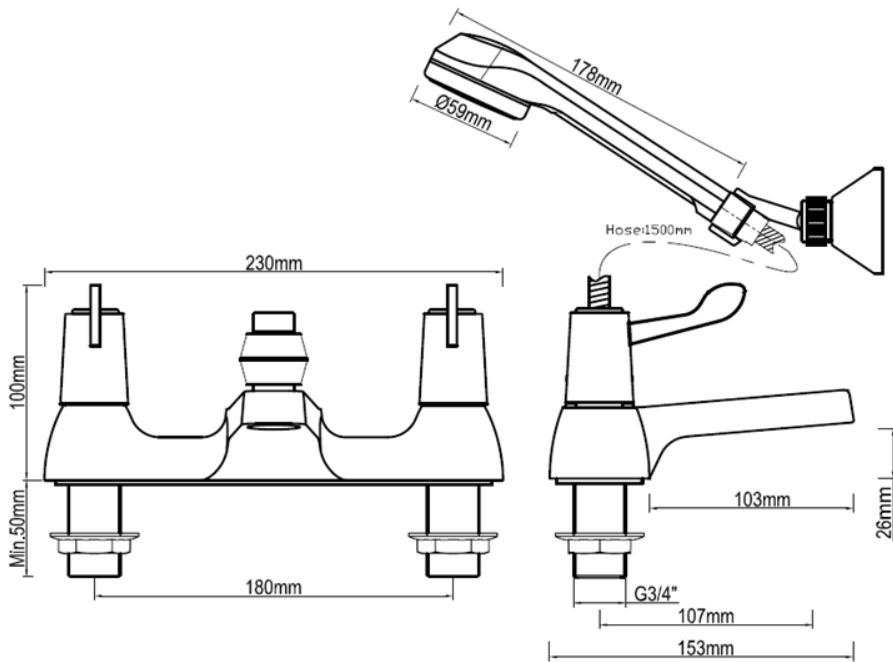
## Additional Information

F&B (Features & Benefits):

- Chrome finish
- Suitable for high & low pressure
- Suitable for 2 tap hole baths
- 3/4" CD Valve
- Minimum Working Pressure at 0.2bar, recommended working pressure: 0.2-5.0bar
- Zinc back nuts brass finishing and rubber washers
- Brass tap body, Zinc handle
- 1500mm stainless steel electrolysis double lock hose
- 1 function Shower handset

# TECHNICAL DATA SHEET

## Technical Drawings



Guarantee: 5 year

EU GPSR Single Point of Contact: [Product.compliance@highbournegroup.co.uk](mailto:Product.compliance@highbournegroup.co.uk)