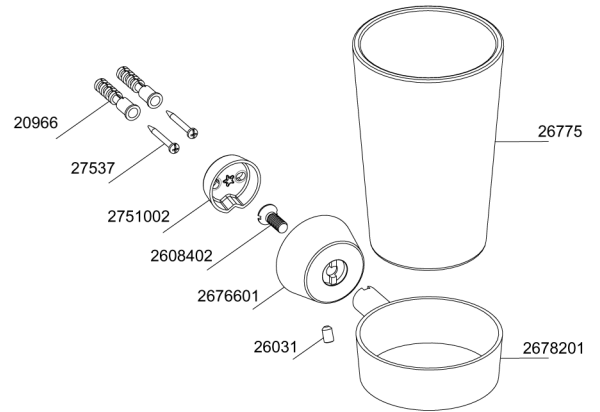
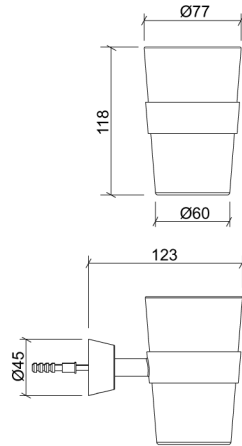


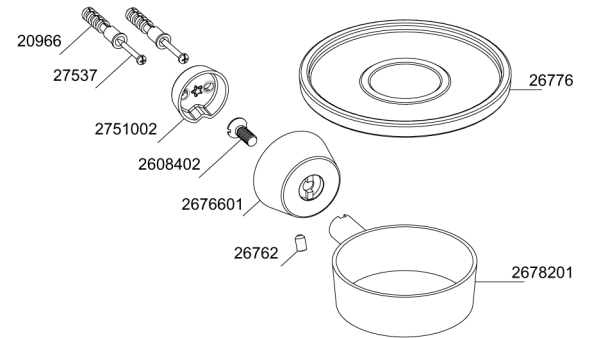
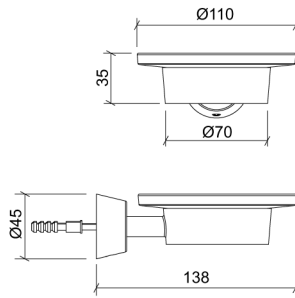
**Description :** Toothbrush Holder

**Code No :** 44575 **Chrome**



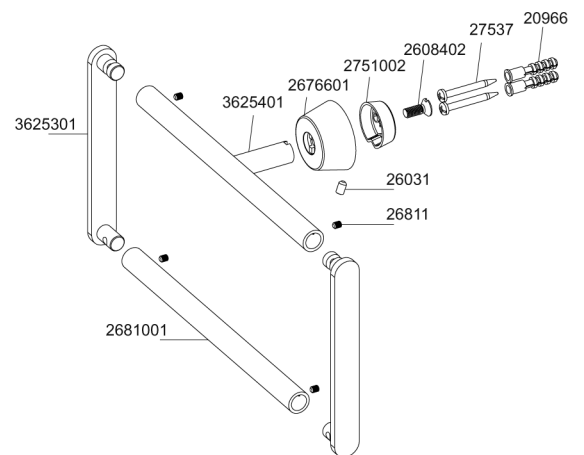
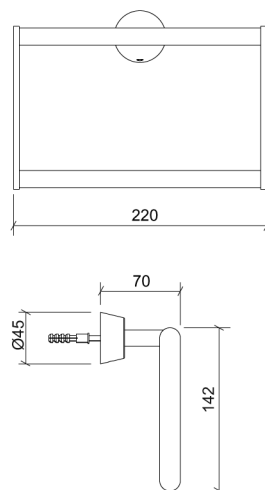
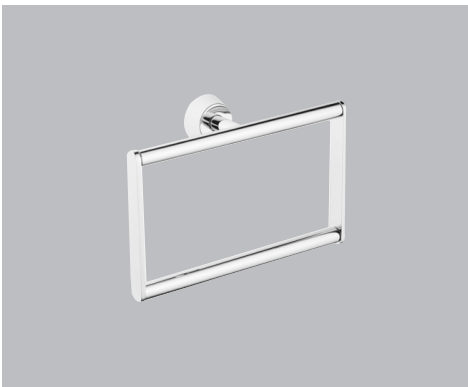
**Description :** Soap Dish

**Code No :** 44576 **Chrome**



**Description :** Towel Ring

**Code No :** 44577 **Chrome**



Part No	Part Name
20966	Dowel / 8x25
26031	Screw / M5x8 DIN 916
26775	Toothbrush Holder Glass
26776	Soap Dish Glass
26811	Screw / M4x5 DIN 916
27537	Screw / St 4.2x38 DIN ISO 7049
2608402	Screw / M6x16 DIN 7991
2676601	Body
2678201	Ring
2681001	Towel Ring Part

Part No	Part Name
2751002	Wall Connection Part
3625301	Combined Towel Ring Part
3625401	Combined Towel Ring Part

Part No	Part Name