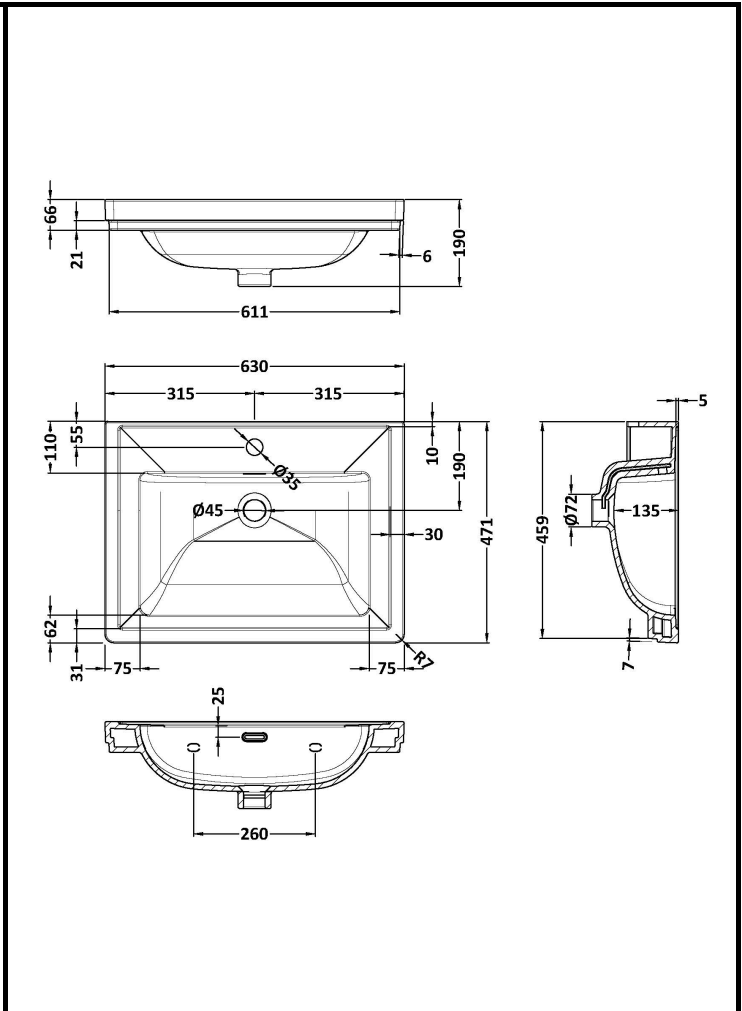


CUSTOMER DATA SHEET - CERAMICS

SALES CODE: 112189	DESCRIPTION: iflo 600mm Shaker Modular Furniture Basin
---------------------------	---



PRODUCT DIMENSIONS			
Height (mm)	Width (mm)	Depth (mm)	Nett Wgt Kg
190	630	471	17

PACKAGING DIMENSIONS			
Height (mm)	Width (mm)	Depth (mm)	Gross Wgt Kg
490	650	220	17.3

PACKAGING DATA			
Box Colour	Brown Cardboard Box - Printed		
Box Qty	1	Label Colour	White Label
Label Size	100 x 50	Label Qty	2

OUTER BOX DIMENSIONS (If Applicable)			
Height (mm)	Width (mm)	Depth (mm)	Gross Wgt Kg
Barcode	5059491001787		

PRODUCT DETAILS	
Country of Origin	Utd.Arab.Emir.
Fitting Instruction	

Certification	CE & UKCA	Yes	WRAS	N/A	WRAS Number	N/A
Product Material	Fireclay					

PANS/BIDETS			
Trap Style	N/A	Includes Seat	Not Applicable

CISTERNS			
Fittings	Not Applicable	Operating Type	Not Applicable
Lever Type	Not Applicable		

SEAT			
Type	N/A	Function	Not Applicable
Material	Not Applicable		
Hinge Type	Not Applicable	Hinge Material	Not Applicable

BASINS			
Tap Hole	One Taphole	Chain Stay Hole	No
Template	Not Required	Waste Type Req'd	Slotted
Overflow Incl.	Yes	Overflow Cover	Yes
Inner Bowl Depth	135 mm		

GENERAL	
Fixing Supplied	No