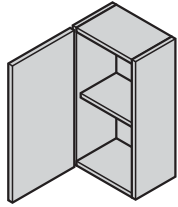
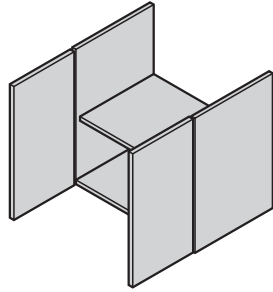


# Mirror, Wall Units - Installation Guide



300 wide  
Wall Unit  
190 deep



600 wide  
Vanity Unit  
380 deep

## GUARANTEE

We have taken great care to ensure that this product reaches you in perfect condition. However should any parts be damaged or missing, please contact your point of purchase. This does not affect your statutory rights.

In addition, if you require replacement parts your point of purchase will be happy to assist.

## SAFETY WARNINGS

- Handle product with care.
- When drilling walls, check first for hidden pipes and cables.
- Use safety eyewear when drilling.
- Keep all small parts away from children.
- If the product is over 20 kg (see packaging), 2 people are required to carry and install the unit.

## IMPORTANT NOTES

- Ensure all cut outs for plumbing are carried out prior to installation.
- Check all product contents and read instructions before starting installation.
- All exposed edges of timber need to be treated or sealed using PVA.

## Tools Required (Not Included)

- Pozidrive Screwdriver
- Pencil
- 2.5mm & 5mm Drill Bits or as compatible with alternative fixings for the wall structure.
- Hammer
- Tape Measure
- Power Drill
- Spirit Level

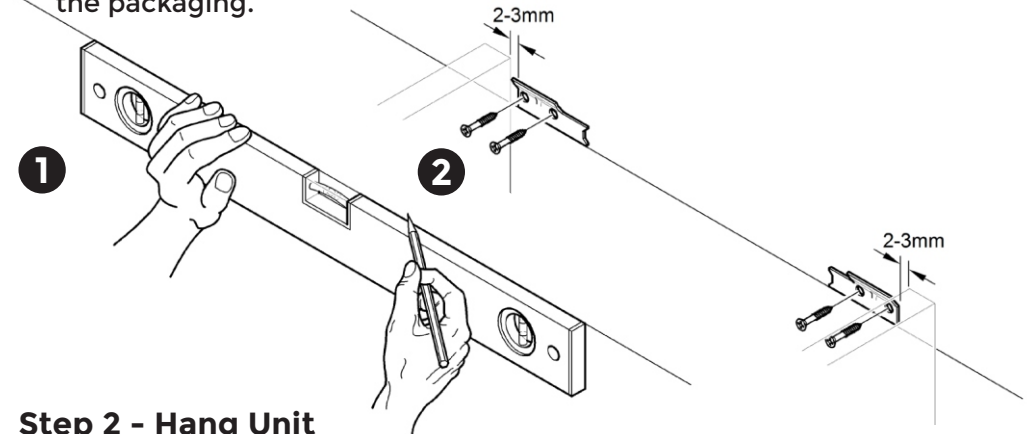
## Fittings and Parts

- (Supplied)
- 4 x Wall Plates
  - 8 x Screws
  - 8 x Wall Plugs

**Check & remove plastic film from the doors before attaching the handle to the door/drawer front.**

## Step 1 - Wall fixings

- Decide on the height of the Mirror Unit and, using a spirit level, draw a horizontal line to work to (1).
- Mark out the internal dimensions of the unit making sure the plates are within the internal dimensions of the unit by 2-3 mm (2).
- Using a Power Drill along with the Wall Plugs and Screws provided, fix the plates in place.
- If the wall is not solid, you will need to use your own fixings. Ensure that they are adequate to support the total weight of the Unit as stated on the packaging.



## Step 2 - Hang Unit

- Hang the unit on the Wall Mounting plates (3).
- Remove the back mirror panel. Level the unit using your spirit level and adjusting the screw on the bottom of the Hanging Bracket (4).
- Once level, screw on the front of the Hanging Bracket to tighten the Unit to the wall (5).
- Replace the removable back mirror panel.

