

PM SHXMMCTFF C

PRISM Shower Range Prism Safe Touch Bar Mixer with Adjustable Riser Rail, Multi Mode Handset and Fast Fit Wall Fixings



Features:

- All in one box - pack includes bar shower valve, hose, adjustable riser rail and a rub-clean anti-limescale multi function handset so nothing to buy separately
- Supplied with a fast fit Wallmount 12 fixing kit with built-in front of wall isolation valves on both the hot and cold feed, making it simple to fit, maintain and replace.
- Safe Touch technology ensures the valve stays cool to the touch while in use
- "Multi function rub clean handset - limescale and debris build-up is quickly and easily removed by rubbing a finger or a cloth over the nozzles."

Specify As:

Prism Thermostatic TMV2 Exposed Cool Touch Bar Valve with Adjustable Riser Kit, Peg Handles, Multi Function Handset and Fast Fit Connections.

Product Certifications:



WRAS Certificate No: 2005902
WRAS Expiry Date: 31/05/2025



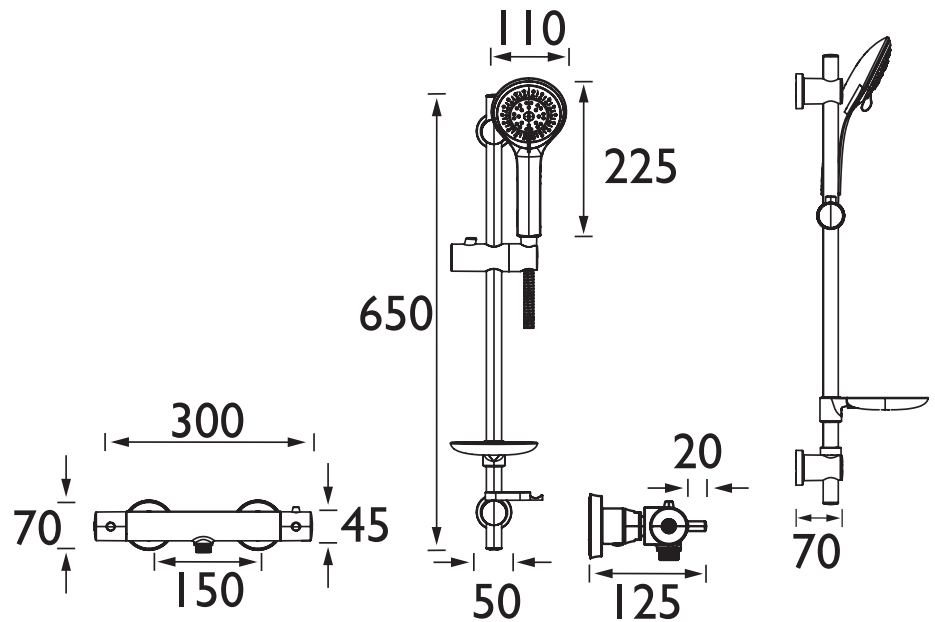
TMV2 Cert No: NSF2262/0720
TMV2 Expiry Date: 16/07/2025



Specification

Product Type:	Bar Shower
Main Construction Material:	Brass
Connection Outlet:	G 1/2"
Connection Inlet:	15mm Compression
Number of Controls:	2
Flow Control Valve Type:	3/4" Ceramic Disc Valve
Plumbing System:	Suitable for all plumbing systems
Minimum Dynamic Pressure:	0.2 Bar
Maximum Dynamic Pressure:	5.0 Bar
Maximum Static Pressure:	10
Maximum Hot Water Temperature: (°C)	60
Pre-set Outlet Temperature: (°C)	38°C
Isolation Included:	Yes
Check Valve Supplied:	Yes
Shower Kit:	Adjustable Riser Kit

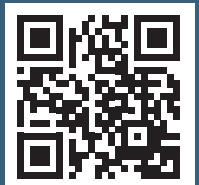
Dimensions (measurements in mm)



Flow Rates (l/min)

System Pressure (bar)	0.2	0.5	1	2	3	5
Through Handset (mixed)	2.1	4	6.2	8.9	11	13

For more products, visit our website:
<http://www.bristan.com>



TECHNICAL DATA SHEET



BRISTAN

D9