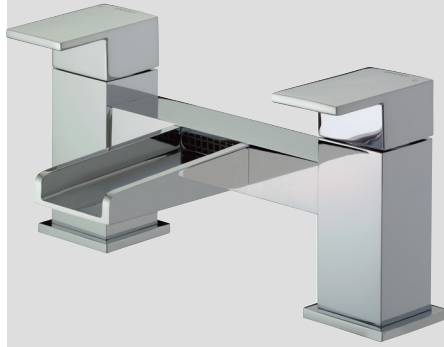


626594

BRISTAN ARINTO BATH FILLER ARN BF C



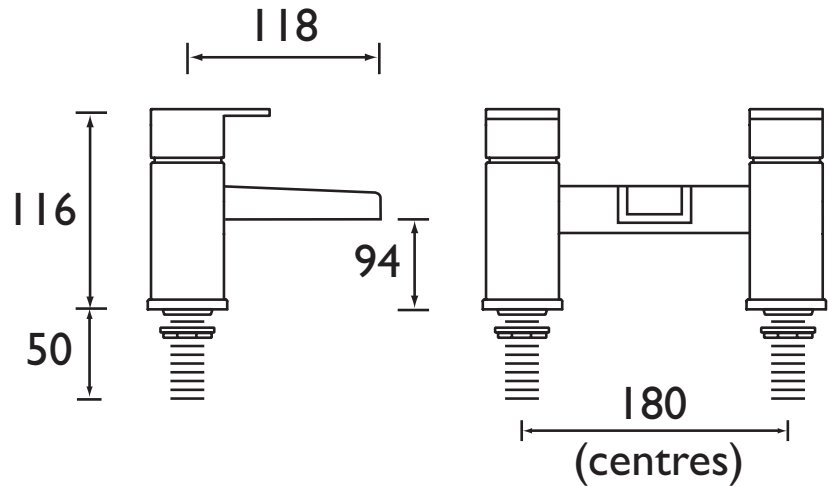
Features:

- Metal lever handles
- Ceramic Disc
- 3/4" valves

Specification

Style:	Contemporary
Product Type:	Bath Filler
Finish/Colour:	Chrome
Main Construction Material:	Brass
Mount Type:	Deck
Handle Type:	Lever Turn
Connection Inlet:	3/4" BSP
Connection Outlet:	Rectangular Flow Straightener
Number of Tap Holes:	1
Valve/Cartridge Type:	Manual
Plumbing System Requirements:	High Pressure
Working Pressure Range:	Min. 1.0 Bar, Max. 5.0 Bar
Maximum Hot Water Temperature: °C	65
Maximum Dynamic Pressure: (bar)	5
Maximum Static Pressure: (bar)	10
Flow Type:	Single
Flow Rate: (l/min @ 3 bar)	18
Isolation Included:	No

Dimensions (measurements in mm)



Flow Rates (l/min)

System Pressure (bar)	0.2	0.5	1	2	3	5
626594	6.33	11.21	15.76	17.05	17.07	18.09