

## Vernis Blend

2-hole rim mounted bath mixer with diverter valve and Vernis Blend hand shower Vario

Finish: **Chrome** Article Number: **71461000**

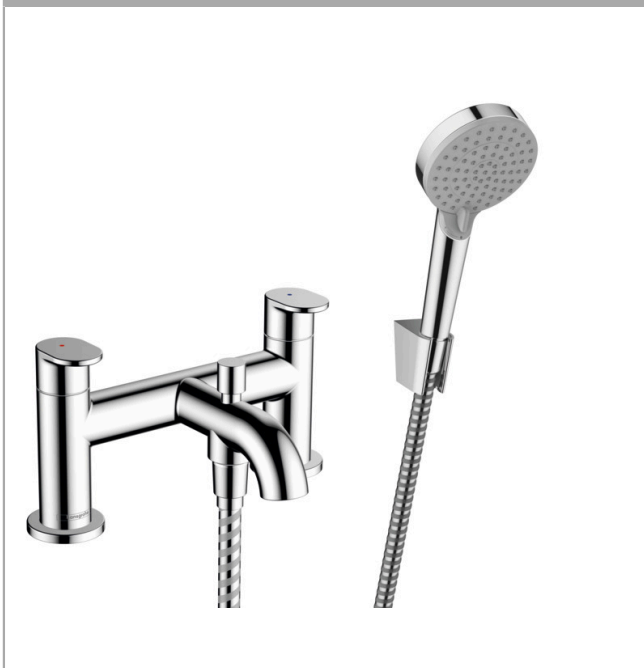


### Description

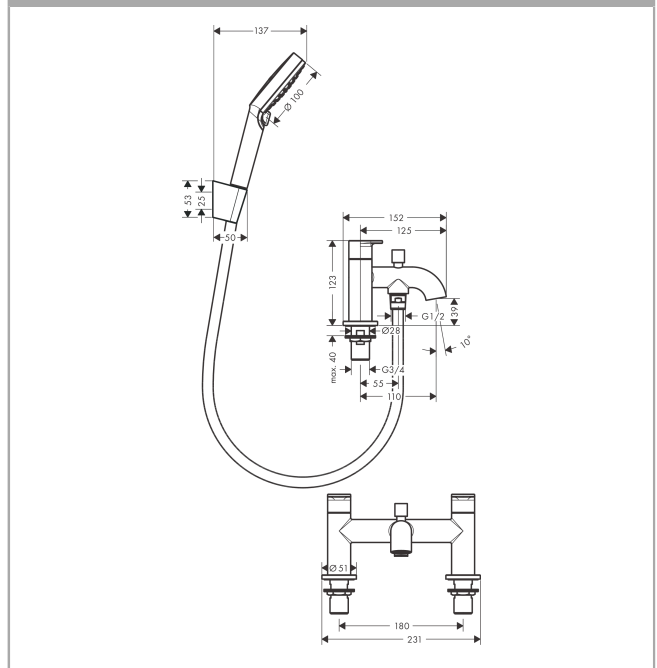
#### product features

- consists of: 2-hole rim mounted bath mixer, hand shower, shower holder, shower hose
- 2 functions
- projection: 110 mm
- centre distance: 180 mm
- maximum flow rate at 3 bar: 49,3 l/min
- flow rate for bath spout at 3 bar: 49,3 l/min
- flow rate of hand shower at 3 bar: 18,1 l/min
- ceramic valves hot/cold 90°
- operating pressure from 0.2 bar
- diverter with automatic resetting
- diverter lockable
- non-return valve
- with silencer
- connection dimension: DN20
- connection type: G 3/4
- installation on bath rim

### Product image



### Scale drawing



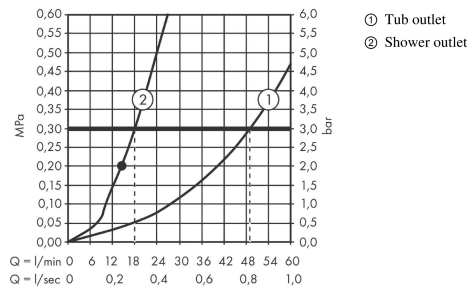
**Vernis Blend**

**2-hole rim mounted bath mixer with diverter valve and Vernis Blend hand shower Vario**

Finish: **Chrome** Article Number: **71461000**



**Flowchart**



**Vernis Blend**

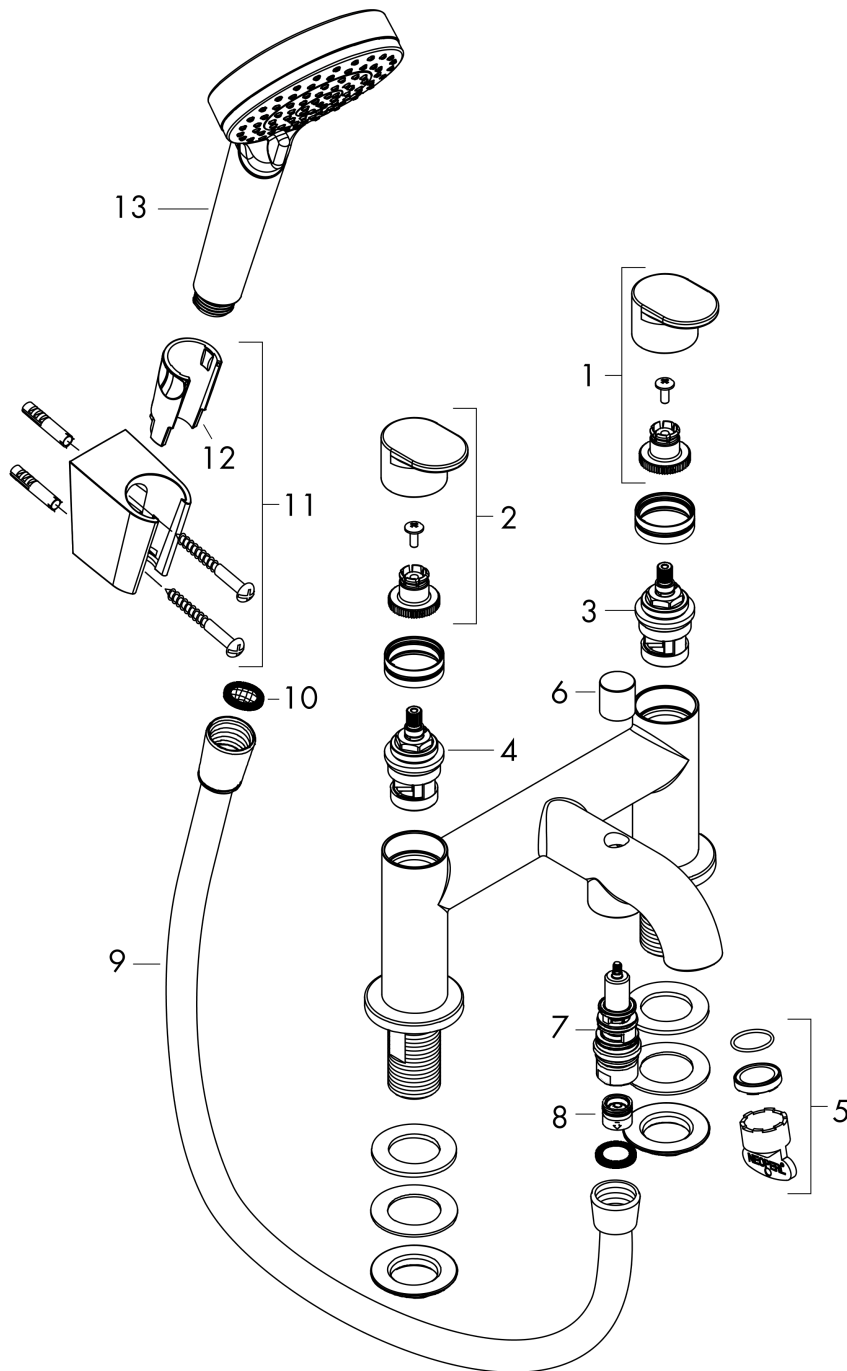
**2-hole rim mounted bath mixer with diverter valve and Vernis Blend hand shower Vario**

Finish: **Chrome** Article Number: **71461000**



**Exploded Drawing**

Year of production: >04/21



## Vernis Blend

2-hole rim mounted bath mixer with diverter valve and Vernis Blend hand shower Vario

Finish: **Chrome** Article Number: **71461000**



### Spare part list

Year of production: >04/21

Pos.	Description	Article Number	PC	PU
1	handle for cold water	93943000	0	1
2	handle for hot water	93942000	0	1
3	shut off unit left closing	93945000	9	1
4	shut off unit right closing	93944000	9	1
5	aerator cpl.	93947000	6	1
6	diverter knob	93949000	4	1
7	selector	93948000	9	1
8	non return valve	97980000	5	1
9	shower hose Metaflex'C 1,60 m	28266000	99	1
10	filter packing	94246000	1	1
11	shower holder	28331000	99	1
12	guide	98918000	1	1
13	handshower	26270000	99	1