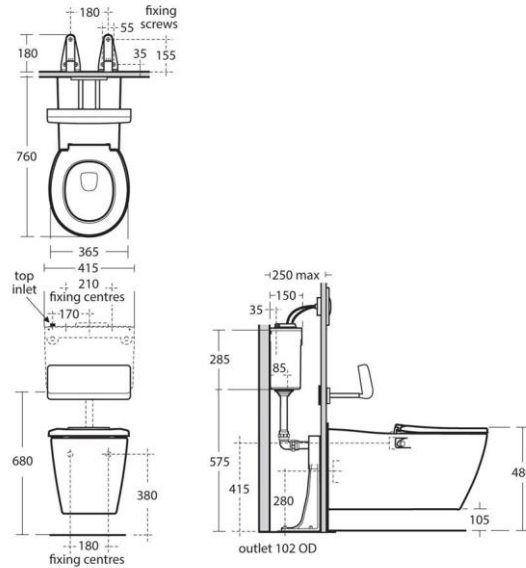


TECHNICAL DATA SHEET

Product Code: 718457

Product Description: Concept Freedom wall hung elongated rimless WC pan



Product Specification

- Domestic and commercial use
- Part of the extensive Concept suite
- Slow close seat option
- 75cm projection
- Doc M Compliant
- Luxury design

Material: Vitreous China

Weight: 33.00Kg

Additional Information

S9139 support brackets secured to floor within the duct, WC fixed to support brackets with bolts supplied. Joint sealed with waterproof sealant (not supplied). The S4302 constructed Flushbend should be used. S364367 Conceala cistern can be used at 4.5/3 only. The WC bowl should not be installed with a lever activated cistern fitted with syphon.

'The information contained within this specification sheet is believed to be correct and complete at the time of creation. All photographs / drawings are as a guide only and do not necessarily represent the products available. Travis Perkins PLC reserves the right to change product details and price without prior notice. E&OE.' [04/2013]