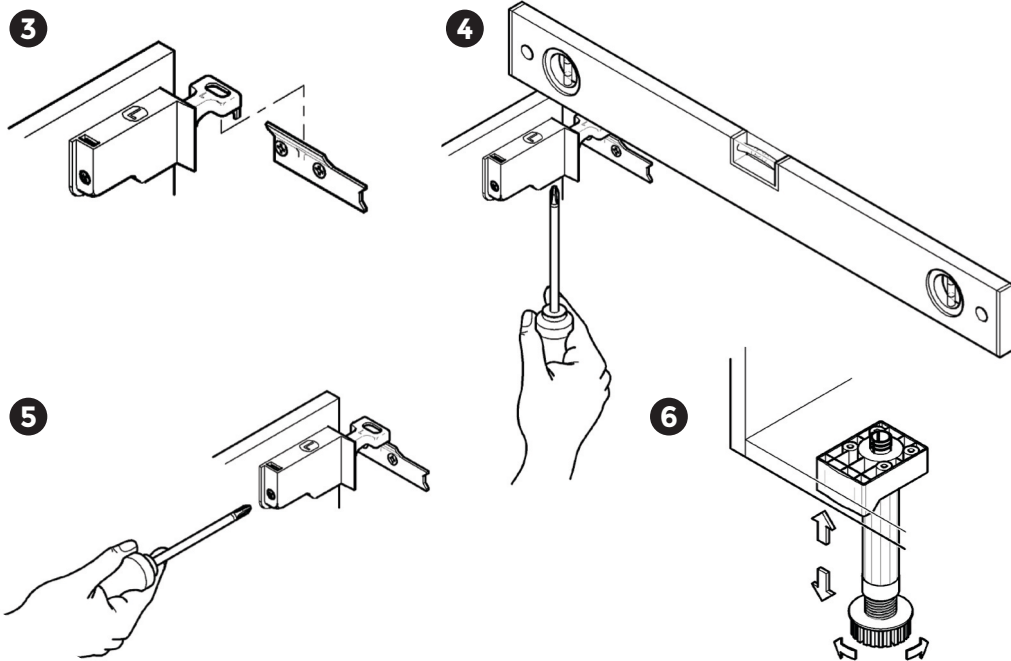


## Step 2 - Hang Unit

- Hang the unit on the wall mounting plates (3).
- Level the unit using your spirit level and adjusting the screw on the bottom of the hanging bracket (4).
- Once level screw on the front of the hanging bracket to tighten the unit to the wall (5).

**Note:** Full height vanity units stand on the floor so will come complete with fitted legs. To adjust the legs, unclip the plinth from the legs and adjust the legs to the desired height (6). Replace the plinth.



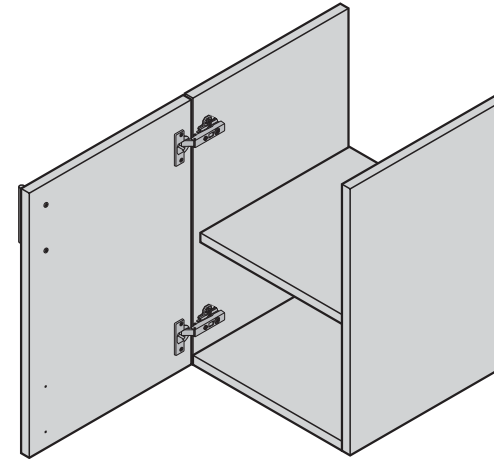
## Care and Maintenance

- This furniture is made of wood and has a water resistant finish. It should not be left wet.
- The quality of the finish is best maintained if it is wiped with a dry cloth after use.
- It should only be cleaned using a soft damp cloth followed by a dry cloth.
- Do not use bleach or any abrasive cleaner.

**We have taken great care to ensure that this product reaches you in perfect condition. However should any parts be damaged or missing, please contact your point of purchase. This does not affect your statutory rights.**

**In addition, if you require replacement parts your point of purchase will be happy to assist.**

# Vanity Unit Installation Instructions



**Important:** Ensure all cutouts for plumbing are carried out prior to installation.

Install the unit first **before** fitting the door following the instructions supplied with the unit.

**Please note:** Images are for illustration purposes only.

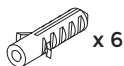
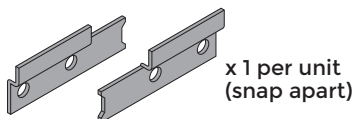
Please read this leaflet carefully before attempting to fit the doors to the unit.  
This leaflet contains information which must be made available to the end user.

Please check the product for imperfections before fitting the doors.  
Contact your point of purchase if an imperfection is found.

## General Safety Instructions

- Handle product with care.
- When drilling walls, check first for hidden pipes and cables.
- Use safety eyewear when drilling.
- Keep all small parts away from children.
- If the product is over 25 kg (see packaging), 2 people are required to carry and install the unit.

## Fixings and Fittings Supplied

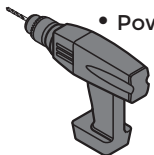


## Tools Required (not supplied)

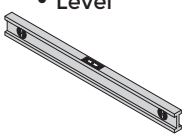
• Posidrive Screwdriver



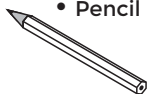
• Power Drill, 2.5mm, 5mm Bits



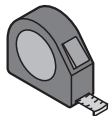
• Level



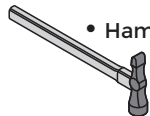
• Pencil



• Tape measure



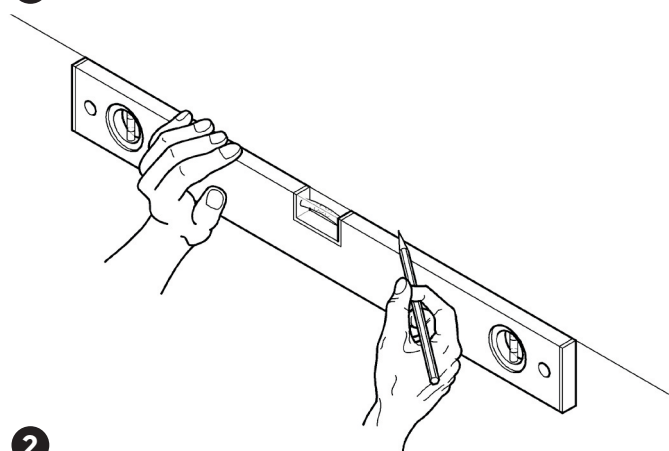
• Hammer



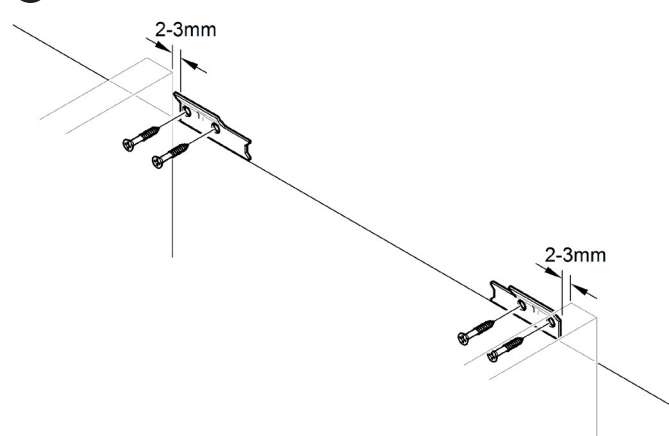
## Step 1 - Wall Fixings

- Decide on the height of the vanity unit and use a spirit level to draw a horizontal guideline (1).
- Mark out the internal dimensions of the unit making sure the plates are within the internal dimensions of the unit by 2-3 mm.
- Using a cordless drill along with the wall plugs and screws provided, fix the plates in place (2).
- If the wall is not solid, you will need to use your own fixings. Ensure that they are adequate to support the total weight of the unit as stated on the packaging.

1



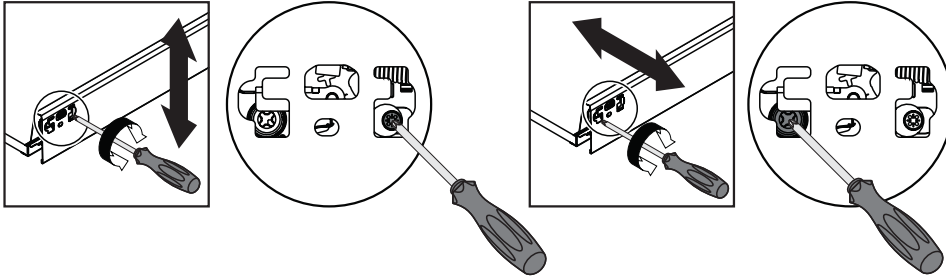
2



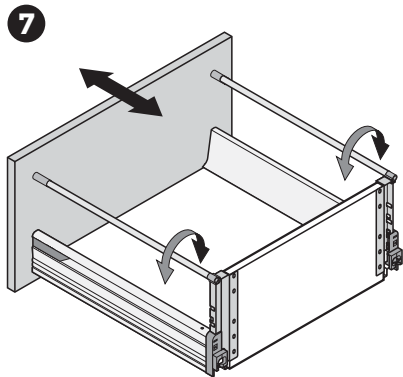
## Step 4 - Adjustments

- Fit the drawer box into the unit by placing on the runners and pushing back until it clicks into place.
- If the drawer front needs adjustment, remove the cover and alter as shown in the illustrations (6).
- Deep drawers only- twisting the drawer rails will change the tilt of the drawer front (7).
- The drawer front is removed by twisting a screwdriver in the middle screw 90° anticlockwise (8).

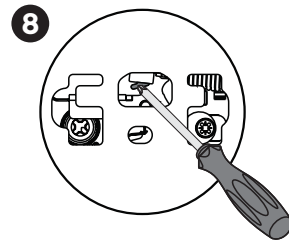
### 6 Vertical Adjustment



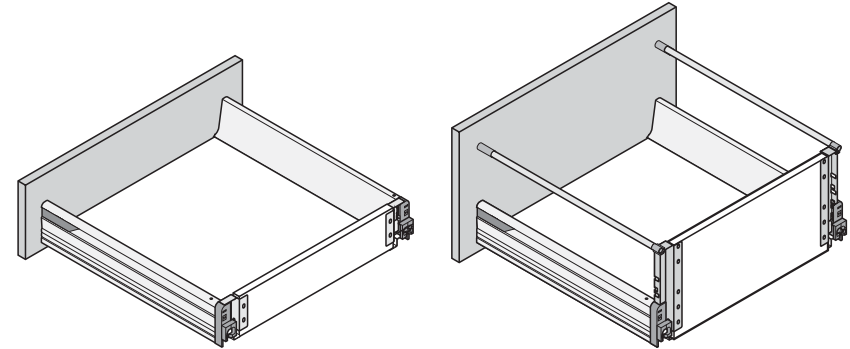
### Rail Adjustment



### Drawer Front Removal



# Drawer Front Installation Instructions



Standard Drawer

Deep Drawer with Rails

Install the unit first **before** fitting the drawer fronts following the instructions supplied with the unit.

**Please note:** Images are for illustration purposes only.

## Care and Maintenance

- This furniture is made of wood and has a water resistant finish. It should not be left wet.
- The quality of the finish is best maintained if it is wiped with a dry cloth after use.
- It should only be cleaned using a soft damp cloth followed by a dry cloth.
- Do not use bleach or any abrasive cleaner.

**We have taken great care to ensure that this product reaches you in perfect condition. However should any parts be damaged or missing, please contact your point of purchase. This does not affect your statutory rights.**

**In addition, if you require replacement parts your point of purchase will be happy to assist.**

Please read this leaflet carefully before starting to fit the drawer fronts to the unit.  
This leaflet contains information which must be made available to the end user.

Please check the product for imperfections before fitting the drawer fronts.  
Contact your point of purchase if an imperfection is found.

## General Safety Instructions

- Handle product with care.
- When drilling walls, check first for hidden pipes and cables.
- Use safety eyewear when drilling.
- Keep all small parts away from children.
- If the product is over 25 kg (see packaging), 2 people are required to carry and install the unit.

## Fixings and Fittings Supplied

- Except for 400 vanity units, there are no separate fittings supplied as the drawer clips and sides and cabinet are supplied complete with all fittings.

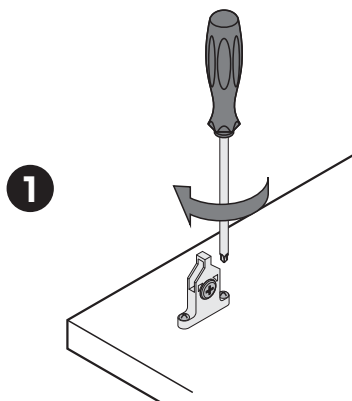
## Tools Required (not supplied)

- Posidrive Screwdriver
- Flat Blade Screwdriver



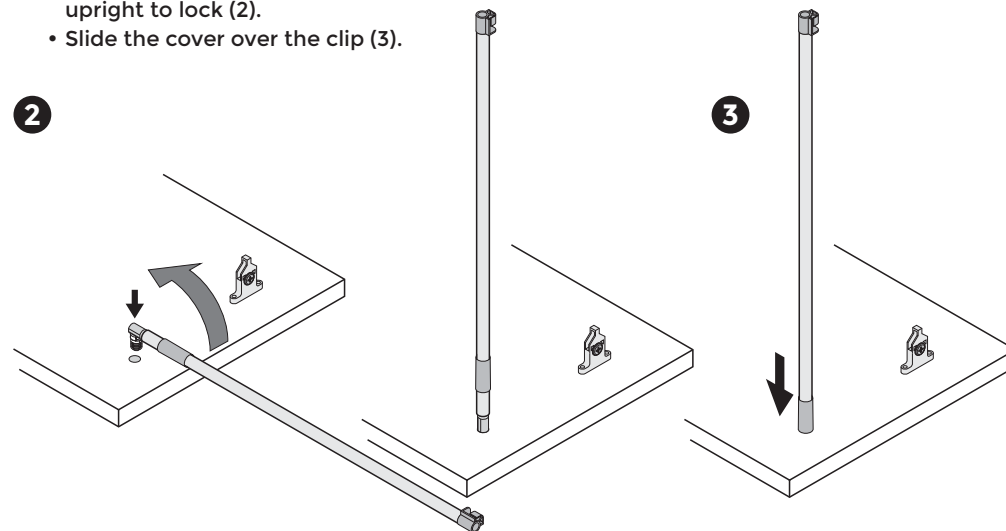
## Step 1 - Secure Drawer Clip

- Remove drawer front from packaging and place on a flat surface.
- Ensure that the drawer clips are securely attached to the drawer front using a posidrive screwdriver (1).



## Step 2 - Deep Drawers only- Fit Drawer Rails

- Push the plastic dowel on the drawer rails into the drawer front and bring the rail upright to lock (2).
- Slide the cover over the clip (3).



## Step 3 - Attach the Drawer Front to the Drawer Box

- Align the drawer clips with the sockets in the drawer box and push the drawer front on to the drawer box until it clicks into place (4).
- Deep drawers only- clip the drawer rails into the bracket at the back of the drawer (5).

