

TECHNICAL DATA SHEET



Product Code: 295755

Product Description: iflo Kota Basin Mixer Tap (No Waste)

Product Specification

Material:

Solid brass with a duragleam chrome finish

Fittings:

Brass back nuts

Systems:

Suitable for high and low pressure systems

Suitable for Gravity fed systems

Suitable for Unvented systems

Suitable for Combi boilers

Additional Information

Always inspect before installation

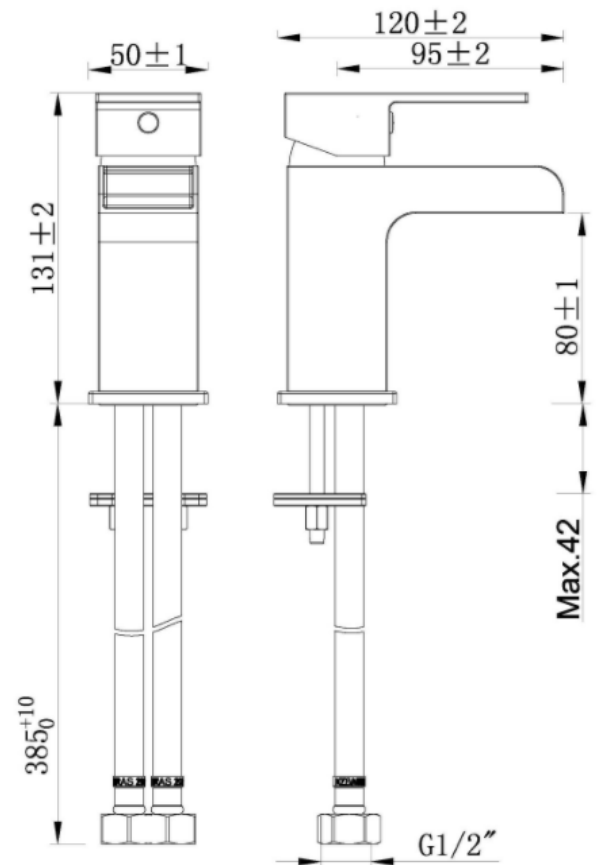
Do not clean with abrasive cleaning products

WRAS approved

Lever style handles for ease of use



Pressure (bar)	Flow rate (l/m)		
	Hot	Cold	Mixer
0.1	2.88	2.40	3.72
0.2	4.08	3.54	5.08
0.3	4.88	4.48	6.30
0.4	5.70	5.28	7.15
0.5	6.36	5.94	8.04
1.0	8.88	8.46	11.46
1.5	10.74	10.26	14.40
2.0	12.66	11.94	16.86
3.0	15.72	15.06	20.64
4.0	18.18	17.40	24.12
5.0	20.40	19.82	26.96



'The information contained within this specification sheet is believed to be correct and complete at the time of creation. All photographs / drawings are as a guide only and do not necessarily represent the products available. Travis Perkins PLC reserves the right to change product details and price without prior notice. E&OE.' [10/2017]