

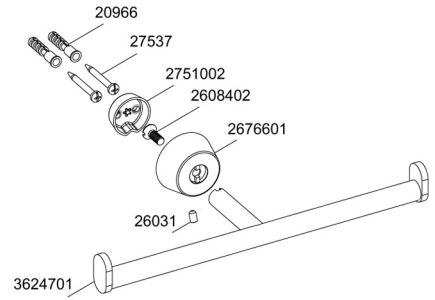
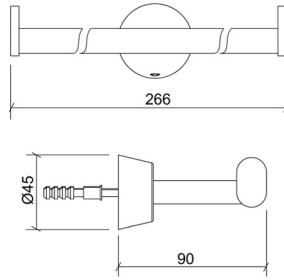
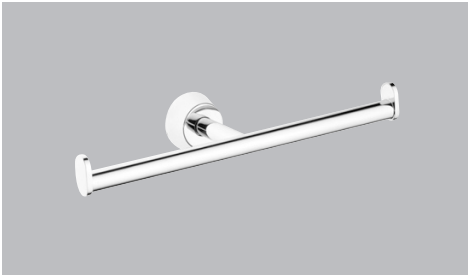
# VitroA Matrix



CI/SfB		
( 74 )		
2007		

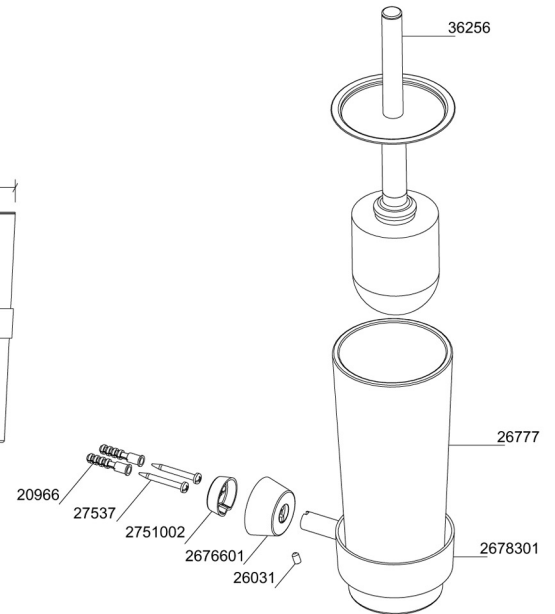
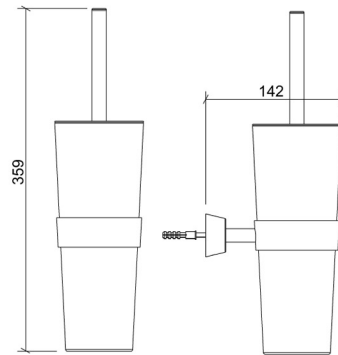
**Description :** Double Toilet Roll Holder

**Code No :** 44581 **Chrome**



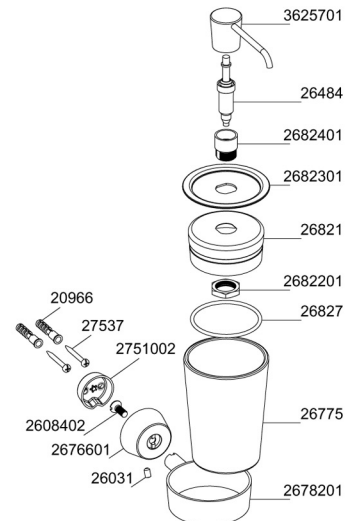
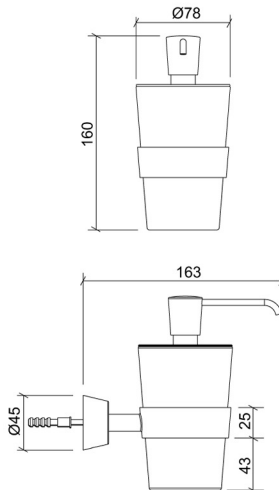
**Description :** WC Brush Holder

**Code No :** 44582 **Chrome**



**Description :** Soap Dispenser

**Code No :** 44583 **Chrome**



Part No	Part Name
20966	Dowel / 8x25
26031	Screw / M5x8 DIN 916
26484	Pump
26775	Toothbrush Holder-Porcelain
26777	WC Brush Holder-Porcelain
26821	Buttom Cover
26827	O-Ring
27537	Screw / St 4.2x38 DIN ISO 7049
36256	O-Ring
2608402	Screw / M6x16 DIN 7991

Part No	Part Name
2676601	Body
2678201	Ring
2678301	Ring
2682201	Nut / Special M18x1
2682301	Cover
2682401	Buttom Part
2751002	Wall Connection Part
3625701	Combined Pump Spout

Part No	Part Name