



Specification

Product Type:	Bathroom Taps
Main Construction Material:	Brass
Mount Type:	Deck
Handle Type:	Paddle
Connection Inlet:	1/2" BSP
Connection Outlet:	Open
Number of Tap Holes:	2
Valve/Cartridge Type:	1/2" Ceramic Disc Valve - 1/4 turn
Plumbing System Requirements:	Suitable for all plumbing systems
Minimum Dynamic Pressure (bar):	0.1 bar
Maximum Dynamic Pressure (bar):	5 bar
Maximum Hot Water Temperature °C:	60°C
Maximum Static Pressure (bar):	10 bar
Flow Type:	Single
Isolation Included:	No

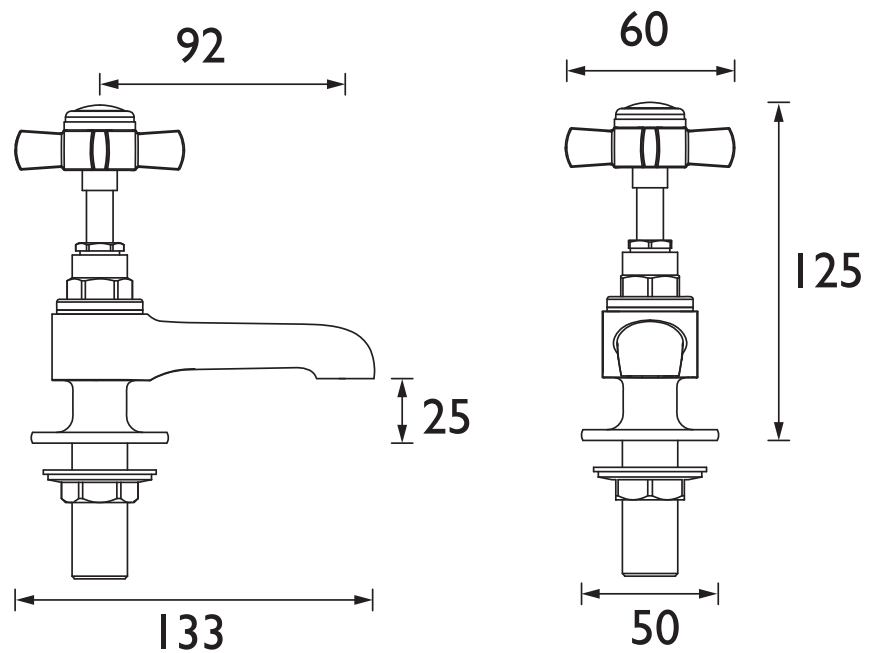
Features:

- Compatible with low pressure water systems, optimised for UK market
- Quarter turn ceramic discs - for smooth operation and added durability
- Available in a selection of finishes

Product Certifications:



Dimensions (measurements in mm)



Additional Information:

Flow Rates (l/min)

System Pressure (bar)	0.1	0.5	1	2	3	5
TDCC00 (Cold)	5.1	14.1	20.8	29.5	35.8	46.2
TDCC00 (Hot)	5.1	14.1	20.8	29.5	35.8	46.2