

TECHNICAL DATA SHEET

Product Code: 159268

Product Description: Iflo 1000x800 Quad Right Hand Tray Slip Resistant

Product Specification

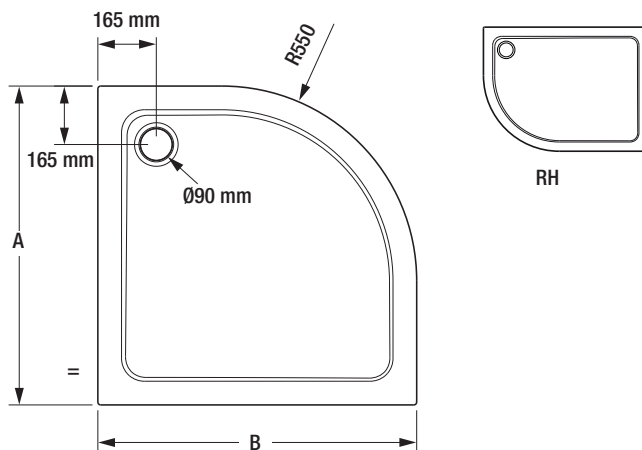
- Acrylic capped ABS, stone resin filled
- Slip resistant surface finish
- 90 mm waste hole
- 40 mm slimline tray height

Additional Information

- Made in the UK
- Fully compliant to the requirements of BS EN 14527
- Recyclable packaging used across the range
- Riser kit and waste available separately



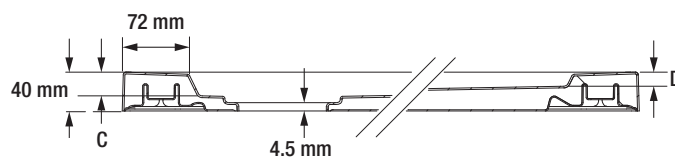
Quadrant Shower Tray



A	B	C	D
800	800	25	16
900	900	25	14
1000	800	25	16
1000	1000	25	12
1200	800	25	16
1200	900	25	14

All Dimensions in mm

Side Profile of Tray



EU GPSR Single Point of Contact: Product.compliance@highbournegroup.co.uk

The information contained within this specification sheet is believed to be correct and complete at the time of creation. All photographs / drawings are as a guide only and do not necessarily represent the products available. The Highbourne Group reserves the right to change product details and price without prior notice.