

626590

BRISTAN CORVINA BSM COR BSM C



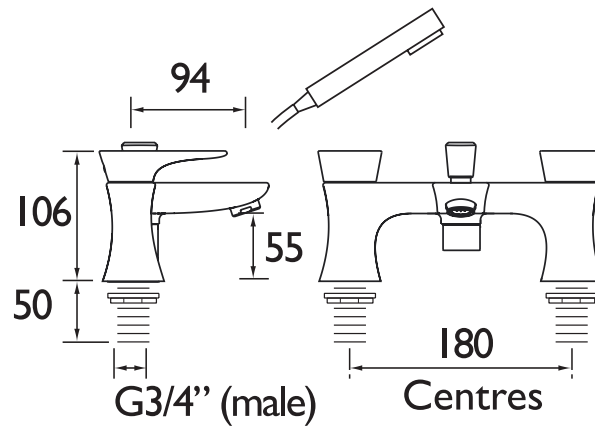
Features:

- Metal Backnuts
- Ceramic Disc
- Supplied with 1750mm hose, rub clean handset, and wall bracket
- Chrome plated to BS EN 248

Specification

Style:	Contemporary
Product Type:	Taps
Finish/Colour:	Chrome
Main Construction Material:	Brass
Mount Type:	Deck
Handle Type:	Lever
Connection Inlet:	3/4" BSP
Connection Outlet:	G1/2"
Number of Tap Holes:	2
Valve/Cartridge Type:	1/4 Turn 3/4" CD Valves
Plumbing System Requirements:	Suitable for all plumbing systems
Working Pressure Range:	Min. 0.2 bar, Max. 5.0 bar
Maximum Hot Water Temperature: °C	65
Maximum Dynamic Pressure: (bar)	5
Maximum Static Pressure: (bar)	10
Flow Type:	Single
Flow Rate: (l/min @ 3 bar)	28.4
Isolation Included:	No

Dimensions (measurements in mm)



1750mm Hose, Rub Clean
Handset & Wall Bracket

Flow Rates (l/min)

System Pressure (bar)	0.2	0.5	1	2	3	5
626590	7.3	11.6	16.4	22.6	28.4	36.7

THE
BATHROOM
SHOWROOM