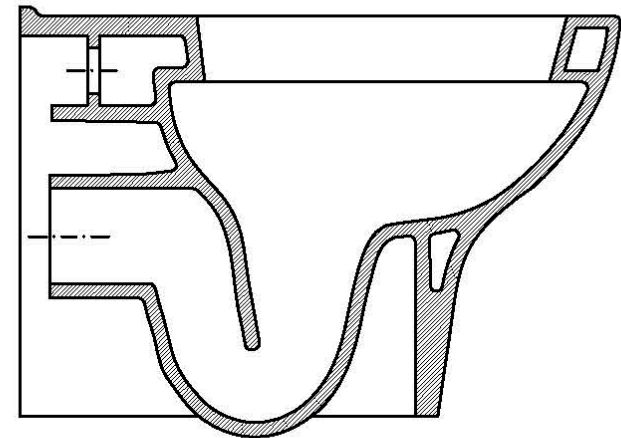


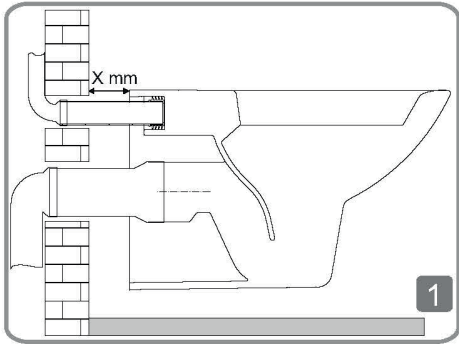
Wall-Hung WC Pan Installation Guide

25 YEAR
GUARANTEE

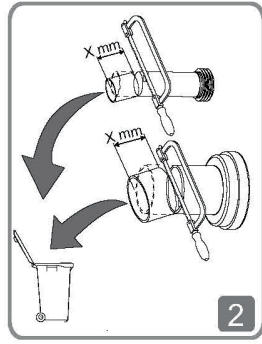


Please Note: Diagram shown is for illustration purposes only

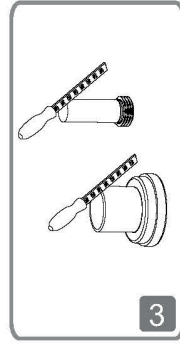
Installation Instructions



Measure the length of the flush and soil pipe required (x).

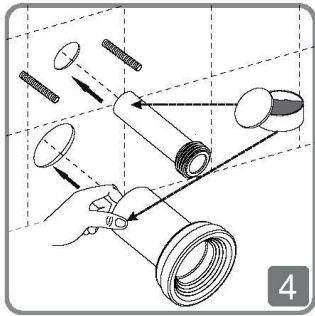
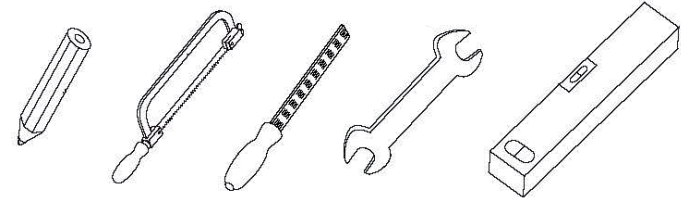


Cut off the excess pipework (x) and discard appropriately.

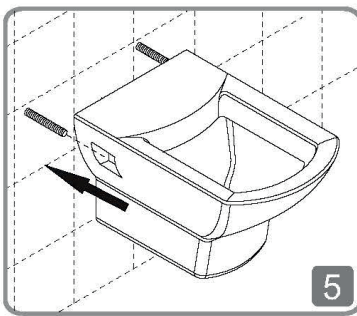


Remove any sharp edges on the pipe work where cuts have been made.

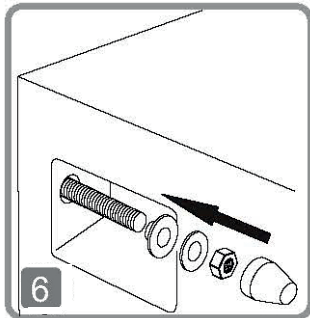
Tools Required (Not Supplied)



Apply grease to the pipework and insert into position.



Place WC on to fixing bolts, ensuring a water tight fitting has been made to the flush and soil pipe.



Tighten fixing bolts as recommended by frame manufacturer.

Safety Warning

- Please handle products with care.
- Installation should be carried out by a professional installer.
- Use safety goggles when drilling.
- When drilling into walls and floors check first for hidden pipes or cables.
- Please keep all small parts out of the reach of children

We have taken great care to ensure that this product reaches you in perfect condition. However should any parts be damaged or missing please contact your point of purchase. This does not affect your statutory rights. In addition if you require replacement parts your point of purchase will be happy to assist.