

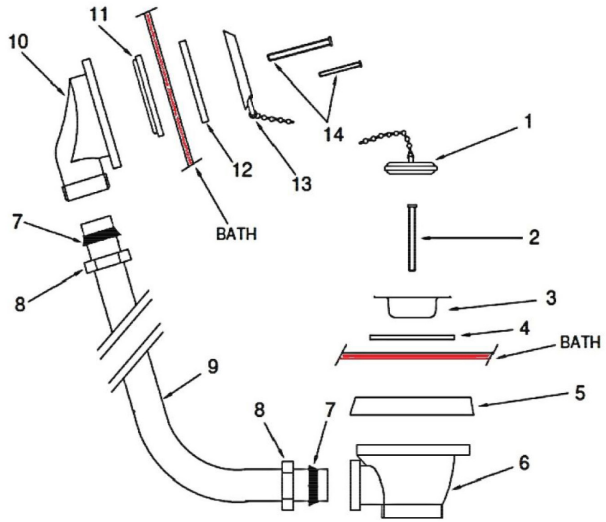
7414 - EXPOSED CHAIN BATH WASTE KIT

Includes: Waste, P Trap, Telescopic Pipe Shrouds

COMPONENT LIST

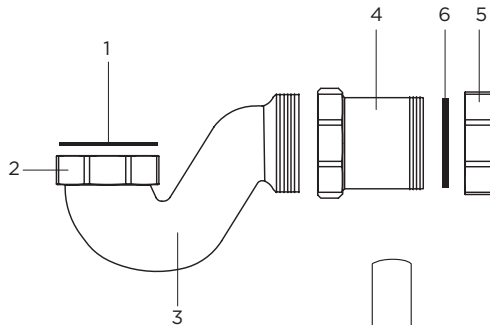
Waste

1. Plug
2. Waste fixing screw
3. Waste Grid
4. Waste Grid Seal
5. Waste rubber washer
6. Waste body
7. Black sealing ring
8. Nut
9. Chrome overflow tube
10. Overflow elbow
11. Overflow seal washer
12. Overflow washer
13. Overflow faceplate
14. Overflow fixing screw



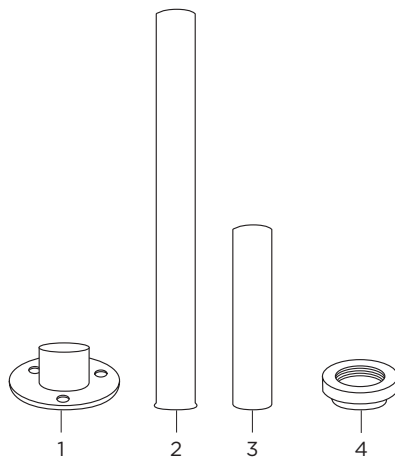
P Trap

1. Sealing Washer
2. Tightening Nut
3. P Trap
4. Adapter
5. Locking Nut
6. Rubber Seal



Telescopic Pipe Shrouds

1. Base Shroud Connector x 2
2. Pipe x 2
3. Top Pipe x 2
4. Top Connector x 2



We recommend that this product is installed by a qualified professional contractor. We will not accept responsibility for incorrect installation. Please check this product before installation to ensure it has not been damaged and is complete.

FITTING INSTRUCTIONS - EXPOSED BATH WASTE AND OVERFLOW

1. Carefully check that all components are present prior to installation
2. Position the waste body (6) with the rubber seal (5) underneath the waste hole in the bath. Place the waste grid on top of the waste grid seal and position over the internal waste hole of the bath (it is recommended that a silicone sealant be applied to all sealing faces of the waste grid seal) and secure the assembly using the waste fixing screw (2). Do NOT overtighten.
3. Position the overflow elbow (10) and overflow seal washer (11) behind the overflow hole in the bath. Position the chrome overflow faceplate (13) and overflow washer (12) on the other side of the bath surface (it is recommended that a silicone sealant be applied to both sealing faces of the washer) and secure the assembly in place using the overflow fixing screw (14). Do NOT overtighten.
4. Push the top of the chrome overflow tube (9) into the chrome compression nut (8) and black sealing ring (7) of the overflow elbow (10) and hand tighten.
5. The horizontal section of the chrome overflow tube (9) connects to the waste body (6). Push the chrome overflow tube into the chrome compression nut (8) and black sealing ring (7) of the waste body. Please note that it may be necessary to cut the vertical and/or the horizontal sections of the chrome overflow tube (9) to suit the bath.
6. Carefully tighten the compression nuts and check all joints and connections for leaks.

FITTING INSTRUCTION - P TRAP

1. This exposed shallow seal bath trap has been designed for use with freestanding baths and the waste fittings are exposed and on show. It is suitable for use with 42mm copper or brass overflow waste pipework which has normally been chrome plated to enhance the appearance of the waste water outlet system.
2. Ensure that the bath waste and overflow have been sufficiently tightened and all connections and joints have been tested for leaks
3. Decide where the 42mm waste pipework is going to leave the bathroom and prepare the exit wall or floor accordingly.
4. Make sure that the bath is high enough to accommodate the bath trap when installed.

FITTING INSTRUCTION - P TRAP

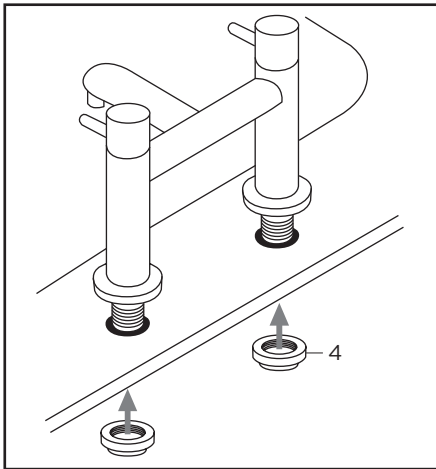
5. Make sure the fibre sealing washer (1) is in place between the P trap (3) and the tail of the bath waste. Screw on the tightening nut (2) clockwise until the P trap is just hand tight
6. Run the 42mm pipework to the P trap.
7. Pass the lock nut (5) and rubber seal (6) of the adaptor (4) over the 42mm tube and insert the 42mm tube into the adaptor (4) as far as it will go. Where 40mm OD pipe is being used discard the adaptor and fit the tube straight into the trap.
8. Screw on the locking nut (5) clockwise and tighten to form a seal.
9. Using a suitable tool tighten the nut (2) to the bath waste section whilst holding the pipework in place. Do NOT overtighten.
10. Make sure that the waste pipework is completed and test the installation for leaks.

FITTING INSTRUCTIONS - PIPE SHROUDS

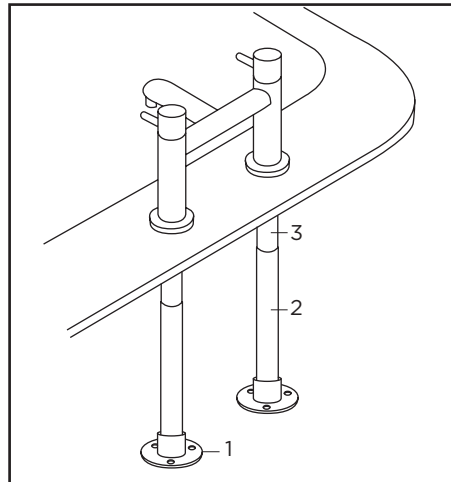
1. Select the final position for the freestanding bath and mark the floor for where the hot and cold pipework will enter at floor level. The centres of the hot and cold pipework must be the same as the distance between the centres of the tap holes in the bath ledge. From the front view hot water should be on the left and cold water on the right. Drill the floor using a suitable hole cutter.
2. Run the pipework for the hot and cold water supplies to the room and bring them up through the floor at the drilled positions.
3. At this time decide whether the pipework will be connected directly to the bath taps or whether additional joints will be made just above the bottom sections (2) of the telescopic pipe shrouds. The height of the bottom sections is 520mm.
4. Place the bottom flanges (1) and the bottom section of the pipe shroud over the vertical pipework coming up through the floor. The pipework should be visible above the bottom section of the pipe shroud (2).
5. Screw the top flanges of the pipe shrouds (4) to the bath tap tails. Screw the flanges up as high as possible, hand tight only, unless they are being used to secure the taps to the bath.
6. Pass the top section (3) of the telescopic shrouds down over the bottom section of the telescopic shrouds so that they are resting on the base flanges (1). Please make sure that the internal thread of the top section of the telescopic shroud (3) is at the top.

FITTING INSTRUCTIONS - PIPE SHROUDS

7. Connect the pipework to the taps or bath mixer tails using suitable connectors. Make final water tight connections then check for any leaks.
8. Carefully lift the top section of the telescopic pipe shroud (3) and screw them onto the top flanges (4).
9. Ensure correct fit and screw the bottom flanges into place taking care not to puncture the pipework below the floor. The installer should determine and use the correct screws for the particular floor surface onto which the product is being installed.



Place the tap tails through the bath platform and screw on the tap connector (4) tightly.



Slide the Telescopic pipe (2) over the stand pipe (3) up to top connector (4) & tighten. Once everything is in position, fasten the base shroud connector (1) to the floor.

CARE AND MAINTENANCE

We do NOT recommend the use of any household cleaners on this product. Household cleaners often contain chemicals or abrasive materials which may damage (corrode or scratch) the product. The product should only be cleaned with soapy water and rinsed with clean water & dried with a soft cloth.