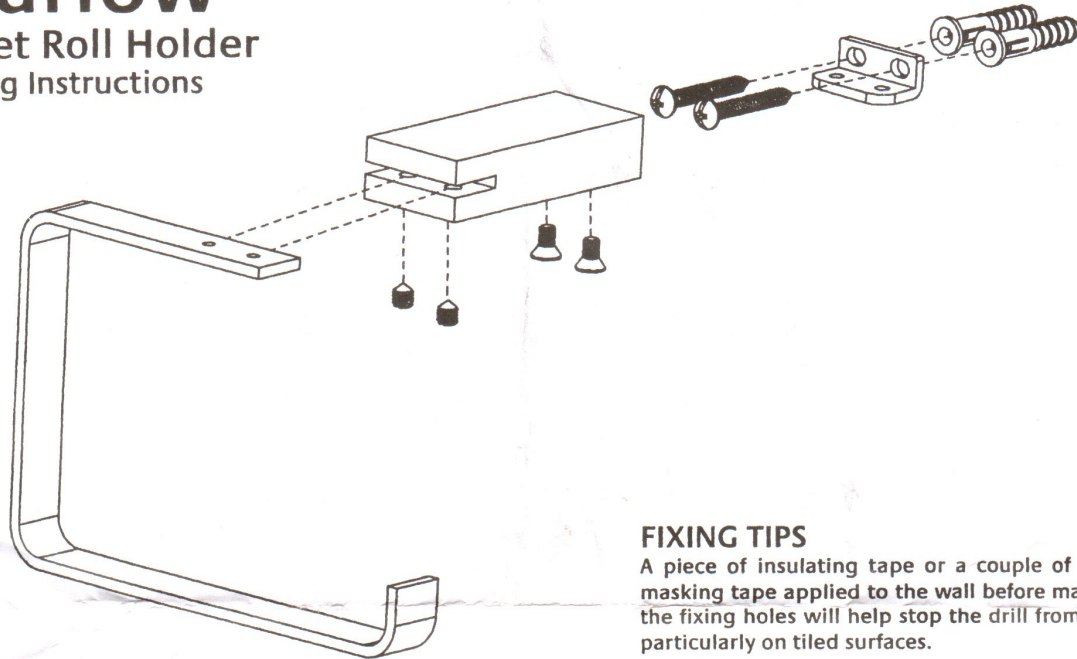


Marlow

Toilet Roll Holder

Fitting Instructions



FIXING TIPS

A piece of insulating tape or a couple of layers of masking tape applied to the wall before marking out the fixing holes will help stop the drill from wandering particularly on tiled surfaces.

When working near a bath, shower or basin insert the plug into the waste – this will avoid you losing small parts. Take care not to drop accessories or tools onto the bath, shower or basin – use a towel or bathmat to protect delicate or vulnerable surfaces near where you are working.

CAUTION

Please note that the fixings supplied are suitable for traditional buildings with brick or block walls only. Some modern building systems require specialist fixings. If in doubt please contact a qualified builder.

Before drilling holes into walls, check that there are no hidden cables or pipes, which could be cut into.

Exercise great care when using power tools near water.

The use of Residual Current Device (RCD) is recommended.

Always double-check the position and your measurements of the bathroom fitting before drilling holes. "Measure twice, drill once".

FIXING INSTRUCTIONS

Select the desired position on the wall and apply lengths of tape where the fixing holes will be drilled. (PLEASE NOTE that the paper holder needs to be assembled first on the Toilet Roll Holder)

Use a spirit level when drawing the vertical line, and then place the wall-bracket over the line and mark through the holes with a sharp pencil marking the two fixing points. Always remember to "Measure twice, drill once".

Drill the two holes with a 5.5 Masonry drill bit and produce a hole approximately 40mm deep.
(Insert the fixing plugs until they are flush with the wall surface)

Position the wall-bracket over the wall plugs and fit the screws supplied through the holes in the accessory and tighten, finally fit the accessory to the bracket, fitting the screws and tightening.

WARNING: Keep small parts away from children.

CLEANING TIPS

- Wipe clean using good quality furniture polish and buff with a soft cloth.
- Stubborn marks can be removed from the chromed surface using a good quality metal polish.
- DO NOT use abrasive cleaners.