

# TECHNICAL DATA SHEET

Product Code: 724768

Product Description: iflo Reno Bath Shower Mixer

## Product Specification

Material:

Solid brass with a duraglead chrome finish

Fittings:

Brass back nuts

Systems:

Suitable for high and low pressure systems

Suitable for Gravity fed systems

Suitable for Unvented systems

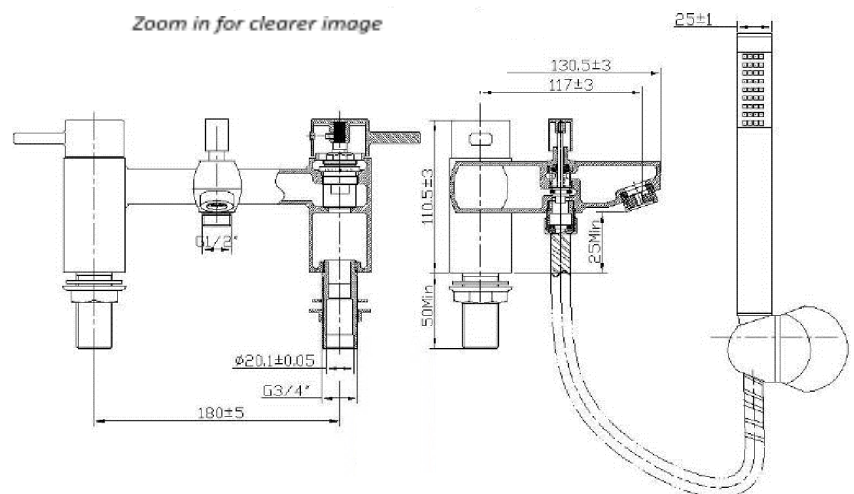
Suitable for Combi boilers



## Additional Information

WRAS approved

Coordinating showers available iflo Architect 683003, alternatively iflo Oakford 683005



Pressure (bar)	Flow rate (l/m)			
	Hot	Cold	Mixer	Shower Hanset
0.5	15.90	15.72	19.68	7.94
1	21.20	21.37	26.90	13.14
1.5	26.65	26.30	33.80	17.46
2	30.66	30.49	38.69	21.72
3	37.80	37.65	48.22	28.34
4	43.27	43.29	55.75	33.36
5	49.07	48.77	62.79	37.24

