

NOVOSOLID

TRAY HEIGHT 3.5CM
(HEIGHT WITH LEGS UP TO 14.5 CM)

Dimensions (cm)	Weight (Kg)	Colour choice CODE	
Actual size A x B -2 / +3 mm			
		Matt White	Matt Black
80 x 80	30	352294	545535
90 x 90	36	548012	547841
120 x 70	38	537754	343573
120 x 80	42	541607	928074
120 x 90	46	541615	541609
140 x 70	44	541623	541617
140 x 80	48	542237	541643
140 x 90	53	542763	154501
150 x 70	46	543538	542949
150 x 80	52	543860	543804
170 x 70	49	544595	543872
170 x 80	58	351357	544633

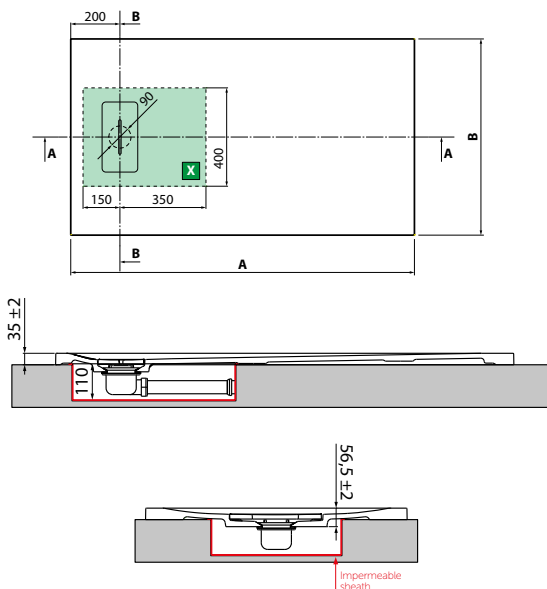
INSTALLATION STANDING ON FLOOR



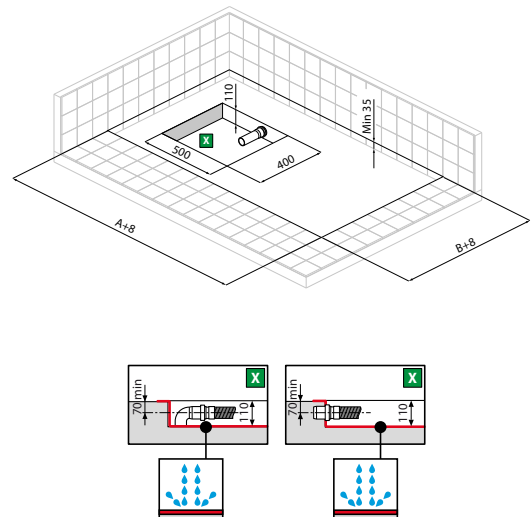
INSTALLATION FLUSH FLOOR



INSTALLATION STANDING ON FLOOR



INSTALLATION FLUSH FLOOR



OPTIONAL

Easy Plumb kit

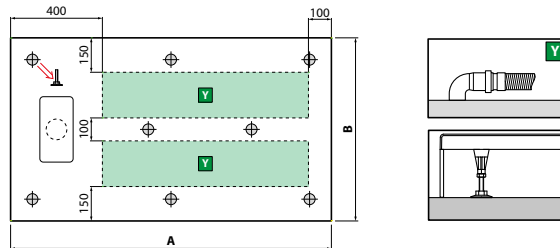
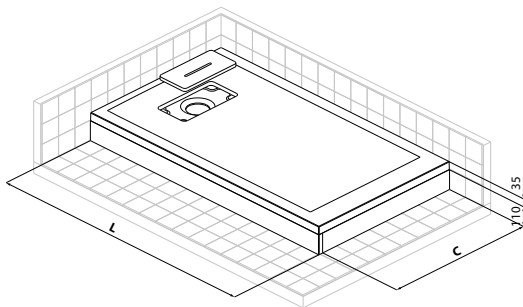
Panels can be cut to size (kit includes 2 Panels)
Height of panels 11cm - Height of tray with panels 14.5 cm

Dimensions (cm)	Colour choice CODE	
	Matt White	Matt Black
90x100	548191	548164
90x150	936289	742186
90x180	742173	742149

HIGH INSTALLATION WITH ADJUSTABLE FEET AND SIDE PANELS

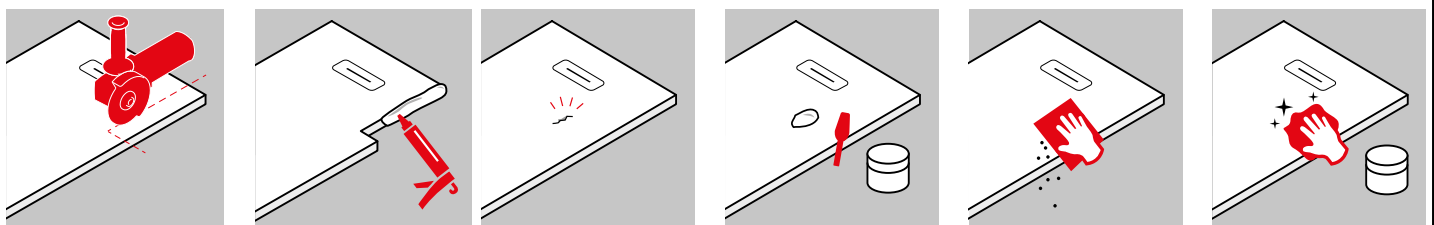


HIGH INSTALLATION WITH ADJUSTABLE FEET
AND SIDE PANELS (CUTTABLE)

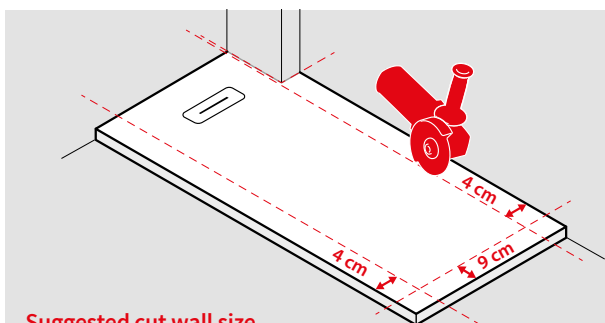


CUT

REPARATION



Novellini will honour the product's warranty assuming that the correct repair process has been followed using the correct Novellini repair kit



Suggested cut wall size

CUT TO SIZE

NOVOSOLID is much more than a range of products, it's a new philosophy of considering the space around you that allows you to adapt the shower tray to different situations with the ability to adjust it up to 9 cm on the long side and 4 cm on the short side.