

**Product Code:** 845188

**Product Description:** ISOLATING VALVE STRT SERVICE 15MMX1/2" NP

## Product Specification

**Material:** Brass

**Size:** 15MM X 1/2"

### Technical Information:

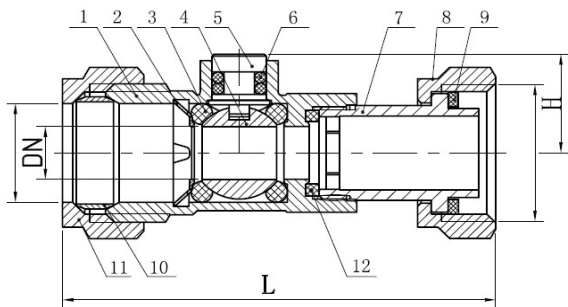
Compression end compliant to BS EN 1254-2

WRAS approved (Suitable for Drinking Water Installation)



**Marked CPS**

**Manufacture date: MM/YY**



Size	DN	L	H	Kgs
15MMX1/2"	8	64	15	0.084

NO.	Part Name	Material	Qty
1	Body	Brass	1
2	Clip	304	1
3	O ring	EPDM	2
4	Ball	Brass	1
5	Stem	Brass	1
6	O ring	EPDM	2
7	Union	Brass	1
8	Compression Nut	Brass	1
9	Washer	EPDM	1
10	Olive	T2	1
11	Compression Nut	Brass	1
12	Washer	EPDM	1

### Technical Data

Field of applications	Water
Max working pressure	16Bar
Max working temperature	-20°C to +90°C

### Guarantee Period:

5 Years against Manufacturing Defects