

Product Code: 845187

Product Description: ISOLATING VALVE ANGLE SERVICE 15MMX1/2" NP

Product Specification

Material: Brass

Size: 15MM X 1/2"

Technical Information:

Compression end compliant to BS EN 1254-2

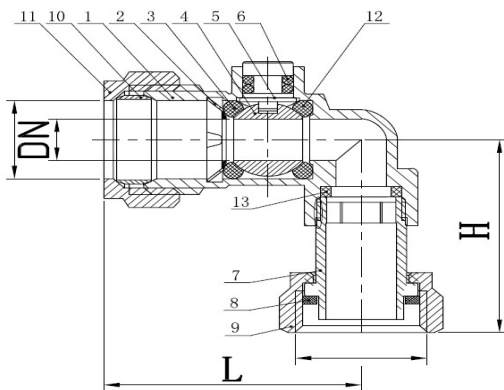
WRAS approved (Suitable for Drinking Water Installation)



Marked CPS

Manufacture date: MM/YY

Size	DN	L	H	Kgs
15MMX1/2'	8	41	37	0.092



NO.	Part Name	Material	Qty
1	Body	Brass	1
2	Clip	304	1
3	O ring	EPDM	1
4	Ball	Brass	1
5	Stem	Brass	1
6	O ring	EPDM	2
7	Union	Brass	1
8	Washer	EPDM	1
9	Compression Nut	Brass	1
10	Olive	T2	1
11	Compression Nut	Brass	1
12	O ring	EPDM	1
13	Washer	EPDM	1

Technical Data

Field of applications	Water
Max working pressure	16Bar
Max working temperture	-20°C to +90°C

Guarantee Period:

5 Years against Manufacturing Defects