

# TECHNICAL DATA SHEET



Product Code: 424853

Product Description: iflo Belaya Basin Mixer

## Product Specification

Material:

Solid brass tap body with chrome plated finish

35mm cartridge

Systems:

Minimum Operating pressure 0.2 bar

Maximum operating pressure 5bar

Suitable for high and low pressure systems



## Additional Information

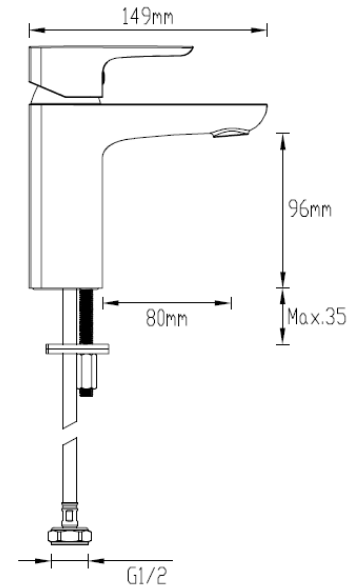
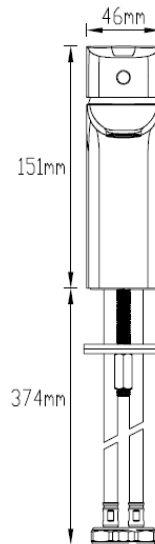
Do not clean with abrasive cleaning products

Always inspect before installation

Lever style handles for ease of use

Easy to install

WRAS approved



0.1 bar			0.2 bar			0.3bar			0.5 bar			1 bar			1.5bar			2 bar			3 bar			5bar		
Full cold	Full hot	Mixed	Full cold	Full hot	Mixed	Full cold	Full hot	Mixed	Full cold	Full hot	Mixed	Full cold	Full hot	Mixed	Full cold	Full hot	Mixed	Full cold	Full hot	Mixed	Full cold	Full hot	Mixed	Full cold	Full hot	Mixed
2.58	2.64	3.59	4.35	4.42	5.42	4.65	4.79	6.5	6.29	6.25	8.07	9.2	9.3	11.2	11.2	11.6	13.3	13.68	13.65	15.6	16.33	17.03	19.7	21.4	22.4	25.7



'The information contained within this specification sheet is believed to be correct and complete at the time of creation. All photographs / drawings are as a guide only and do not necessarily represent the products available. Travis Perkins PLC reserves the right to change product details and price without prior notice. E&OE.' [04/2013]