

820659

BRISTAN CORVINA BATH FILLER COR BF C



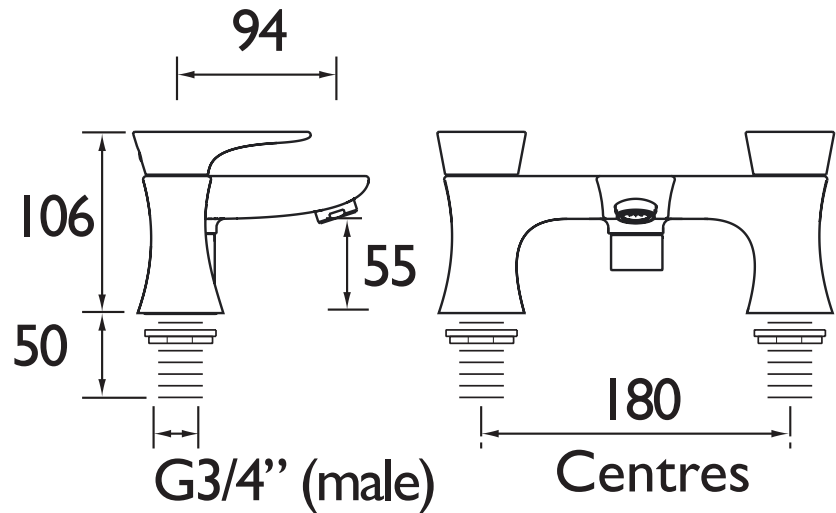
Features:

- Metal Backnuts
- Ceramic Disc
- Chrome plated to BS EN 248

Specification

Style:	Contemporary
Product Type:	Taps
Finish/Colour:	Chrome
Main Construction Material:	Brass
Mount Type:	N/A
Handle Type:	Lever
Connection Inlet:	3/4" BSP
Connection Outlet:	N/A
Number of Tap Holes:	2
Valve/Cartridge Type:	3/4" Ceramic Disc Valves
Plumbing System Requirements:	All
Working Pressure Range:	Min. 0.2 bar, Max. 5.0 bar
Maximum Hot Water Temperature: °C	65
Maximum Dynamic Pressure: (bar)	5
Maximum Static Pressure: (bar)	10
Flow Type:	Single
Flow Rate: (l/min @ 3 bar)	70.67
Isolation Included:	No

Dimensions (measurements in mm)



Flow Rates (l/min)

System Pressure (bar)	0.2	0.5	1	2	3	5
820659	12.3	28.4	40.3	57.7	70.67	91.23

THE
BATHROOM
SHOWROOM