



THE
BATHROOM
SHOWROOM

TECHNICAL DATA SHEET

Product Code:

327554

Description:

RocaBox

Specification:

Size: L 160mm, W N/A, H 160mm

Material: Brass

Finish: N/A

Installation Type: Built-in

Clean immediately after use to stop the build-up of dirt and limescale.

Clean with warm water containing a few drops of washing up liquid, rinse immediately and dry with a soft cloth.

Do not use products such as paint stripper, nail varnish remover, household bleach, perfume, aftershave and strong disinfectants, as chrome and other metals are vulnerable to acid attack.

These may have a varying effect on the surface from black spots or streaks, which can't be removed, due to the corrosion of the product.

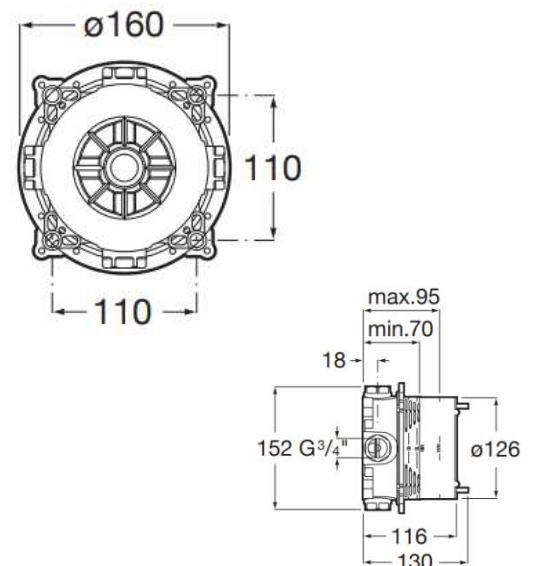
Do not scratch the finish as this can be cause for corrosion.

Do not clean with abrasive materials or products containing bleach.

Product Image:



Technical Drawing:



'The information contained within this specification sheet is believed to be correct and complete at the time of creation. All photographs / drawings are as a guide only and do not necessarily represent the products available. Travis Perkins PLC reserves the right to change product details and price without prior notice. E&OE.'