



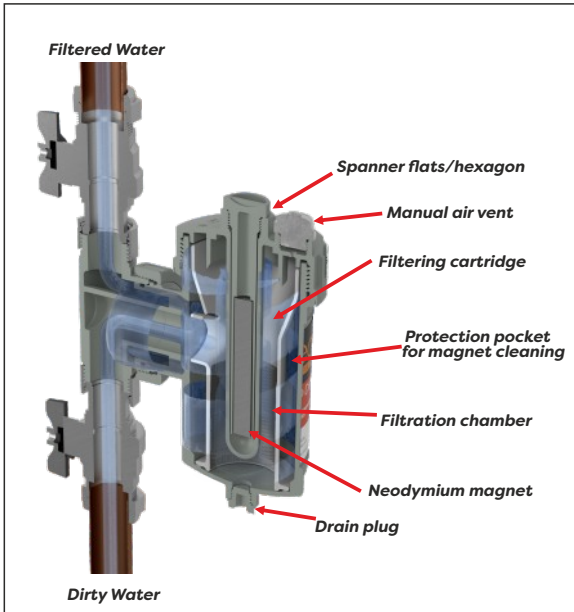
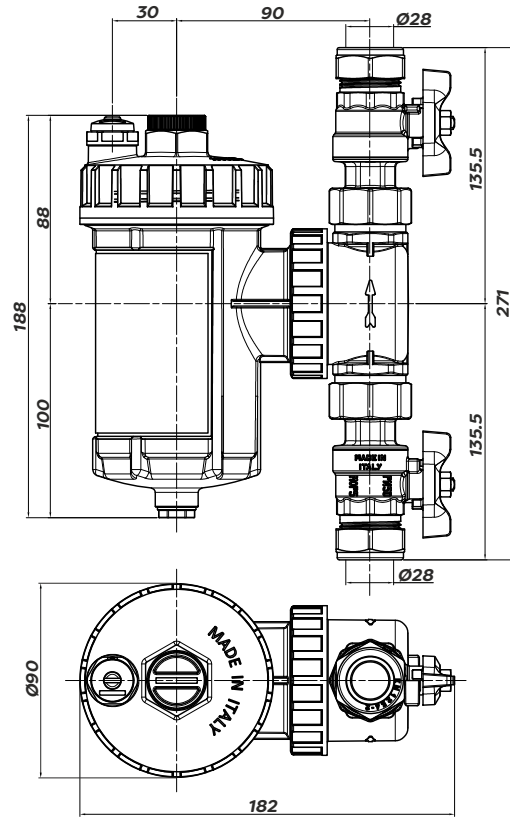
Product

IKHPMF28 - Magnetic Filter for Air Source Heat Pump

Technical Specification

Max Working Pressure: 4 Bar
Max Working Temperature: 90°C
Inlet Connections: 28mm

Drawing



Additional Information

Actively filters magnetite and non ferrous system debris

Unique direct non ferrous system filter forces system debris directly into the filters core to capture as much system debris as possible

Multi-layered filter incorporating a 300 micron fine particle filter & an 800 micron mesh filter

Low profile drain valve

Fully removable 11,000 gauss magnet - service the system live

360° rotation for ease of servicing

Manual air vent

Designed to not require a removal tool to open the lid when servicing

Pressure Drop Graph

