

Product Code: 870228 961159 961665 961708

Product Description: 870228-ISOLATING VALVE BRASS 15MM
961159-ISOLATING VALVE NP 15MM
961665-ISOLATING VALVE BRASS 22MM
961708-ISOLATING VALVE NP 22MM

Product Specification

Material: Brass

Size: 15MM 22MM

Technical Information:

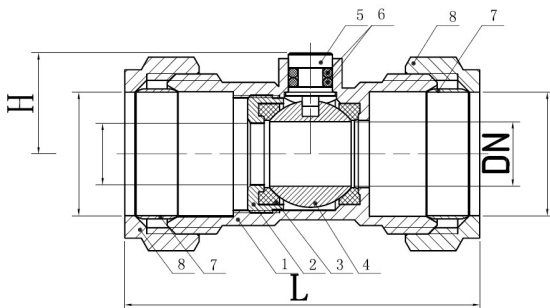
Compression end compliant to BS EN 1254-2

WRAS approved (Suitable for Drinking Water Installation)



Marked CPS

Manufacture date: MM/YY



Size	DN	L	H	Kgs
15mm	8	50	15	0.073
22mm	11.5	64	18	0.156

NO.	Part Name	Material	Qty
1	Body	Brass	1
2	Clip	304	1
3	O ring	EPDM	2
4	Ball	Brass	1
5	Stem	Brass	1
6	O ring	EPDM	1
7	Olive	T2	2
8	Compression Nut	Brass	2

Technical Data

Field of applications	Water
Max working pressure	16Bar
Max working temperature	-20°C to +90°C

Guarantee Period:

5 Years against Manufacturing Defects