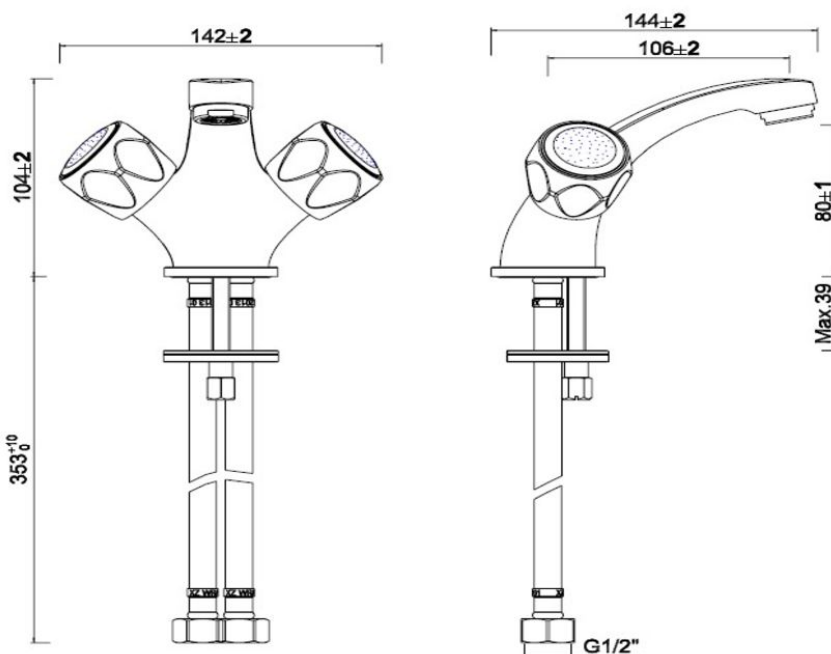


technical specification

Base Basin Mixer Tap (No Waste)

Product code	101221
Material	Solid brass with a duragleam chrome finish
Instruction Manual	Click here for fitting instructions
Additional Information	<p>2 year guarantee</p> <p>Systems: Suitable for high and low pressure systems Suitable for Gravity fed systems Suitable for Unvented systems Suitable for Combi boilers</p> <p>Use at water supply pressures of 0.1bar min and 7. Max</p> <p>Do not use harsh or abrasive chemicals to clean</p>



Pressure (bar)	Flow rate (l/m)		
	Hot	Cold	Mixer
0.1	3.70	3.28	6.74
0.2	5.18	5.04	9.27
0.3	6.40	6.24	11.46
0.4	7.46	7.20	13.34
0.5	8.28	8.16	15.32
1.0	11.24	11.26	21.10
1.5	14.01	14.36	26.36
2.0	16.50	16.28	30.64
3.0	20.24	20.40	38.24
4.0	23.72	24.04	44.32
5.0	26.42	26.95	50.46