

BATH INSTALLATION AND CARE INSTRUCTIONS

0AB39/001

Important notice – Please read

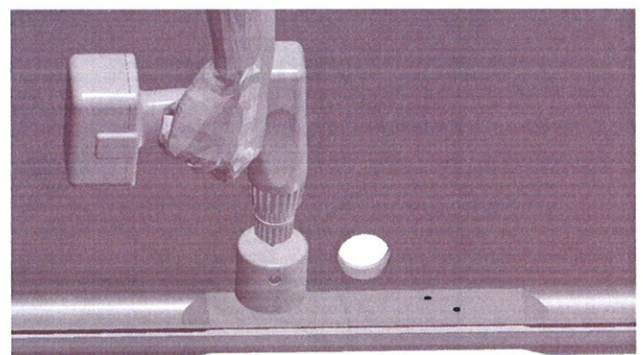
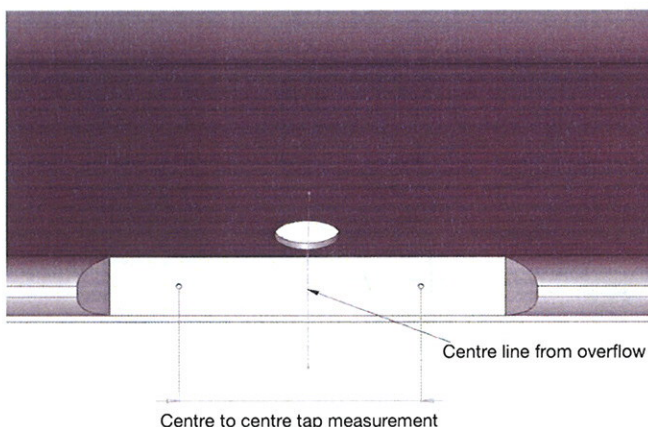
Please read these instructions carefully. It is advised that a qualified plumber fit and install this bath. Failure to adhere to these instructions will invalidate the manufacturers guarantee and no responsibility will be accepted for any loss or damage. This does not affect your statutory rights

Please inspect this product immediately for damage, size and colour. Do not install this product if you are not satisfied, as no claims for consequential damage will be accepted.

BATH INSTALLATION – TAPS HOLES AND WASTE FITTINGS DRILLING TAP HOLES

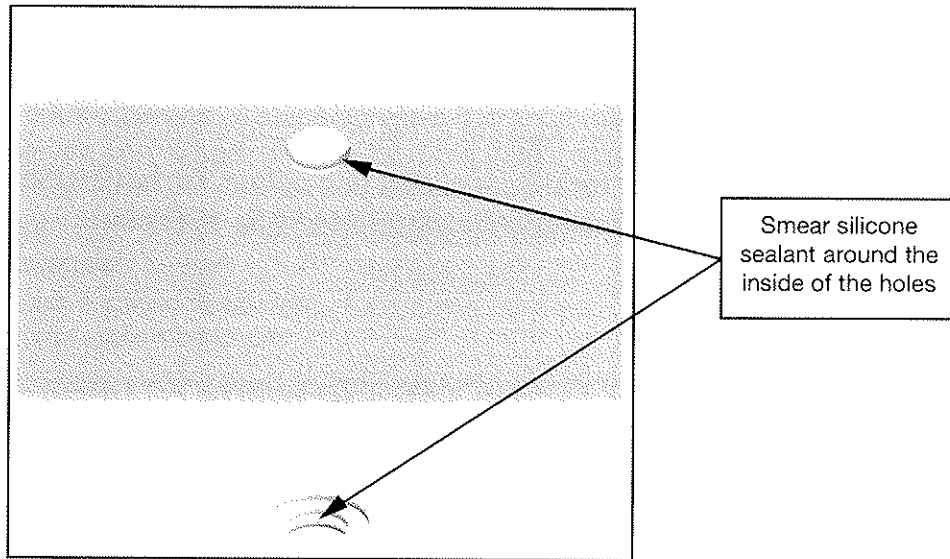
All baths are delivered with no tap holes drilled; only the waste and over holes are drilled during manufacture. The only bath in the range which cannot have taps attached to the rim is the skirted freestanding bath. All the rest of the baths can be drilled on the rim to house the taps. We strongly recommend that a qualified installer drill the tap holes, as we do not accept any responsibility for any incorrect installation.

1. Keep the protective cover sheet on both the inner and exterior of the bath; this will protect the bath during installation. It is advised to turn the bath upside down on a drop cloth.
2. To locate the centre of the tap ledge use the centre of the overflow hole as reference. Mark this line on the ledge with a pencil.
3. You can measure the centre to centre distance of your taps and mark on the ledge as shown in the pictures on the following page.
4. Using the Tap locking nut be sure that the hole is located with enough space for the locking nut to sit flat and tighten as some of the baths have little room for error.
5. Place your taps over the marked points before drilling just to double check the measurements.
6. To drill the holes use a 35mm sharp hole saw with centre drill. Align the drill with the markings and gently start drilling through the bath. Remove any burrs with sand paper.



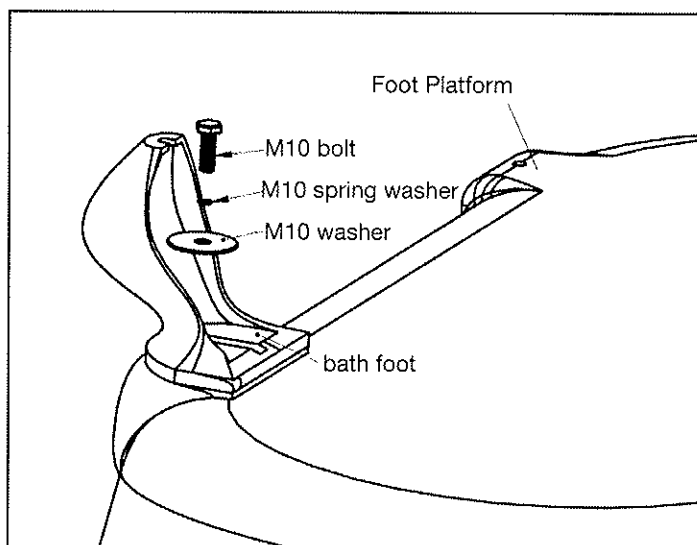
OVERFLOW AND WASTE HOLES

It is important that you smear silicone sealant inside the waste and overflow holes which the water travels through. These holes are already drilled in the bath as shown below.



FITTING BATH FEET (METAL AND WOOD)

1. Turn the bath upside down, preferably on a drop cloth so not to cause scratching to the rim of the bath.
2. The bath has been designed so that all four feet fit on any foot platform.
3. Each foot comes with 1 x M10 x 30mm bolt, 1 x M10 spring washer and 1 x M10 washer (40mm diameter).
4. Place the spring washer onto the M10 bolt first followed by the washer.
5. Before placing the foot onto the bath, it is advisable to place silicon sealant on the foot platform.
6. Align the slot in the foot with the hole on the foot platform on the bath; the silicone should be in contact with both foot and foot platform of bath. Place the bolt (with spring and washer attached) through the slot of the foot and into the hole on the foot platform, as shown in the picture below.



FITTING BATH FEET (METAL AND WOOD) Continued

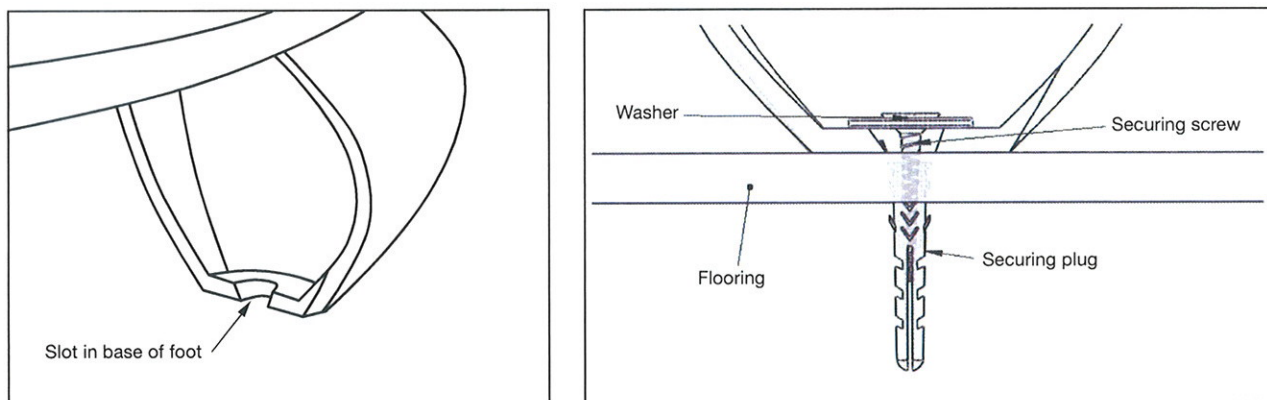
7. Screw the bolt into the bath using a 17mm spanner until tight (Torque wrench setting 20Nm). Make sure the foot is tight to the bath. Apply all four feet to the bath. Leave the silicone to set before turning the bath over.

After you have fitted the feet to the bath you are now able to fit a suitable waste to the bath. Again it is strongly recommended that one of our wastes is used as we cannot guarantee other wastes fitting our bath. Our wastes have special longer fixings to make sure they fit the bath. Please refer to the instructions inside the waste box.

SECURING THE BATH TO THE FLOOR

As the bath is freestanding and not attached to any solid item It is essential and advised to secure the freestanding bath to the floor

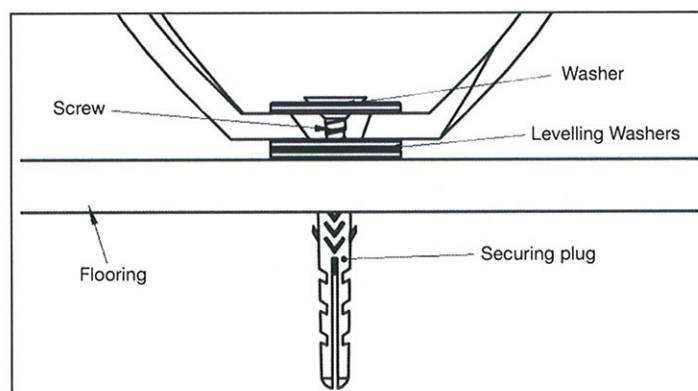
1. Place the bath (with feet and waste fitted, see Fitting Bath Feet Instructions for info) in the required position.
2. You will notice at the bottom of the foot a cut out slot, as shown in the picture below.



3. Draw around the base of the feet ensuring the slot is clearly marked out.
4. Move the bath away making sure it is in a safe area and it cannot be damaged.
5. Using the marked out areas drill and plug the slotted area of the foot as shown above (drill and plug not supplied).
6. The bath can now be placed back into the required position.
7. With the use of a suitable screw and washer (not provided), fix the feet to the floor via the screw and plug. Make sure all four feet are secure before plumbing in.

Unlevel floors

1. If the bath is found to wobble due to an uneven floor, a washer can be placed between the base of the foot and the floor as shown in the picture below.



INSTALLATION AND CARE INSTRUCTIONS

CLEANING

The bath has been independently tested to all relevant standards which include staining and chemical resistance. We advise the use of a non abrasive bathroom cleaner. The cleaner must be washed off after use and not left on the bath surface for more than 5 minutes.

Do Not use cream cleaners or cleaners containing bleach

Do Not scrub or scour

Do Not use abrasive cleaning agents

Do Not use solvent based cleaners

Using any of the above cleaning products will cause the surface to deteriorate and invalidate the guarantee.

SCRATCHES

The bath should be free from any scratch or indents. If a scratch does occur during the life of the bath it may be possible to polish out fine scratches using a white t-cut automotive polish restorer. These can be purchased from any automotive store.

Customer Services
Tel: 0845 076 0235 Fax: 0845 076 0236