

Henley

Bathroom Accessories

PLEASE READ THESE INSTRUCTIONS BEFORE YOU START

TOOLS REQUIRED

The tools that you will require are:

A pozidrive screwdriver and 2 flathead screwdrivers with a blade width of 4mm & 7mm.

A drill with a 6mm diameter masonry drill bit. Do not use an undersize drill bit as this will produce a hole that is too tight for the wall plug and will put excessive strain on the screw, possibly causing it to shear off.

A spirit level.

A pencil.

A hammer.

FIXING TIPS

A piece of insulating tape or a couple of layers of masking tape applied to the wall, before marking out the fixing holes, will help stop the drill from wandering, particularly on tiled surfaces. When working near a basin or bath insert the plug into the waste, this will help you avoid losing small parts. Also take care not to drop accessories or tools onto the bath or basin, use a towel or bathmat to protect delicate surfaces.

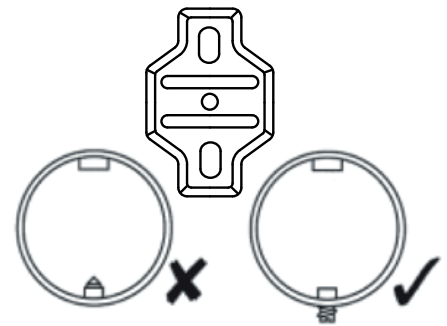
CAUTION

Before drilling into any walls check that there are no hidden cables or pipes. Please note fixings provided are for solid walls only. Exercise great care when using power tools near water. The use of a residual current device (RCD) is recommended. Always double check the position and your measurements of the bathroom fitting before drilling holes.

Do not fix your bathroom accessories to newly plastered, painted or papered walls as chemical reaction can cause discolouration to the surface finish.

FITTING YOUR ACCESSOR

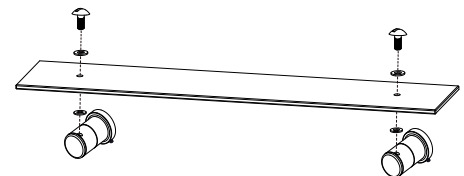
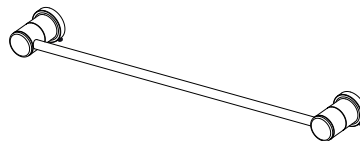
Position the wall plate and mark through the centre of the two slots. Drill a hole through the marked positions to a depth of 40mm. Insert the wall plugs supplied until they are flush with the wall. Tap with a hammer if required. Screw the wall plate to the wall. Take the accessory and check that the locking grub screw tip is not visible.



Place the accessory over the wall plate with the locking grub screw at the bottom. Tighten locking grub screw using the correct sized screwdriver.

FOR ACCESSORIES WITH TWO MOUNTINGS

1. Assemble the accessories on a flat surface.



2. Carefully measure the distance between the middle of the two grub screws.



3. Fix one wall plate as previously described.

4. Measure from the centre of the fixed wall plate and mark the wall where the centre of the second wall plate should be, i.e. the same distance as between the two grub screws.

5. Using a spirit level mark off where the centre of the second wall plate should be, so that both wall plates are level. Fix the second wall plate.

6. Fit the accessory to the two wall plates.

7. When fitting the glass shelf ensure that the plastic washer is between the glass and the metal body.

WARNING: Keep small parts away from children.