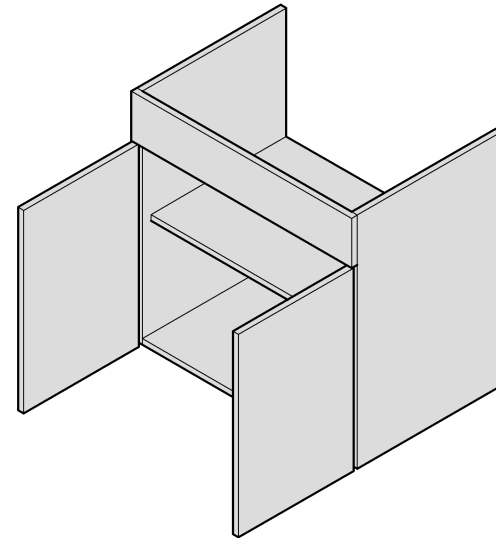


Vanity Unit Installation Instructions



600 Wide Vanity Unit 380 Deep

Please note: Images are for illustration purposes only

Please read carefully before attempting to install the unit. This leaflet contains instructions which must be made available to the end user.

Please check product for imperfections before installing.
Please contact your point of purchase if an imperfection is found.

GENERAL SAFETY INSTRUCTIONS

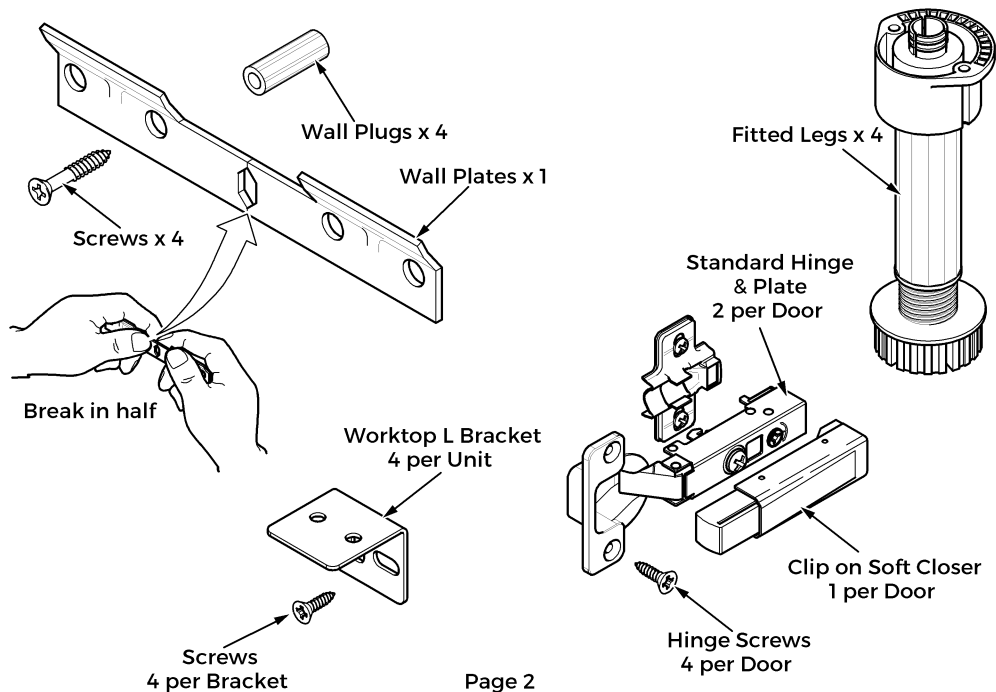
REMEMBER

- Handle product with care.
- When drilling walls, check first for hidden pipes and cables.
- Use safety eyewear when drilling.
- Keep all small parts away from children.
- If the product is over 20 kg (see packaging), 2 people are required to carry and install the unit.

IMPORTANT NOTES

- Ensure all cut outs for plumbing are carried out prior to installation.
- All exposed edges of timber need to be treated or sealed using PVA.

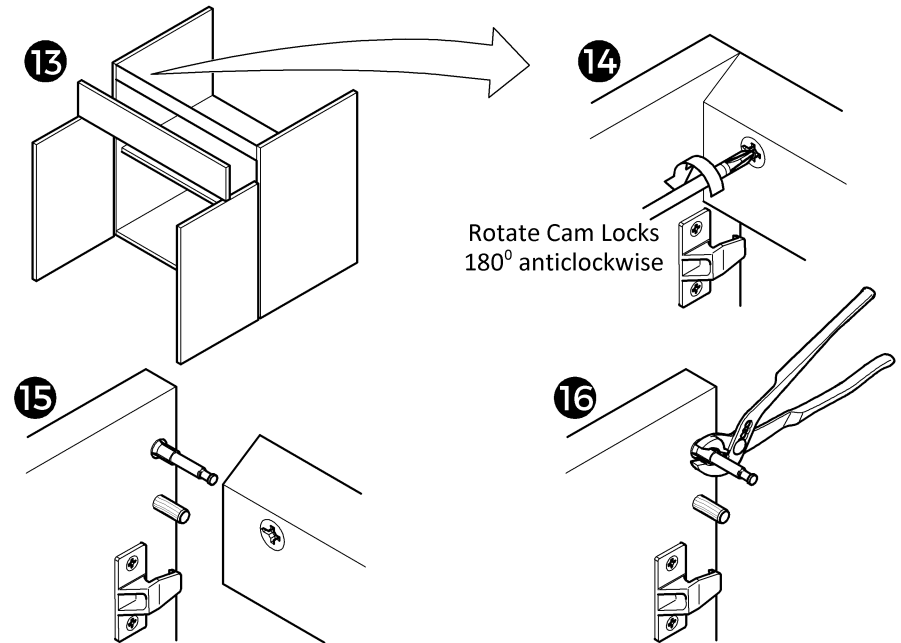
Fixing and fittings supplied



Page 2

Step 7 - Fitting semi recessed basin

- Please refer to basin manufacturer instructions provided.
- When fitting a semi-recessed basin onto a vanity unit, the front rail needs to be removed to ensure the basin fits correctly.
- To remove the rail first pull off the front fascia (13).
- Next undo the cams at either end of the front rail (14).
- Carefully remove the front rail (15).
- Remove the Cam stud and dowel from both side panels (16).



Step 8 - Attaching the doors and drawers

- Please refer to relevant installation instructions provided.

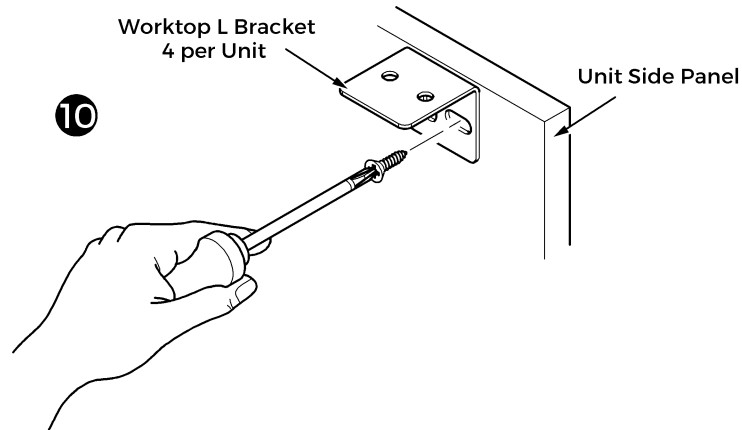
GUARANTEE

We have taken great care to ensure that this product reaches you in perfect condition. However should any parts be damaged or missing, please contact your point of purchase. This does not affect your statutory rights. In addition, if you require replacement parts your point of purchase will be happy to assist.

Page 7

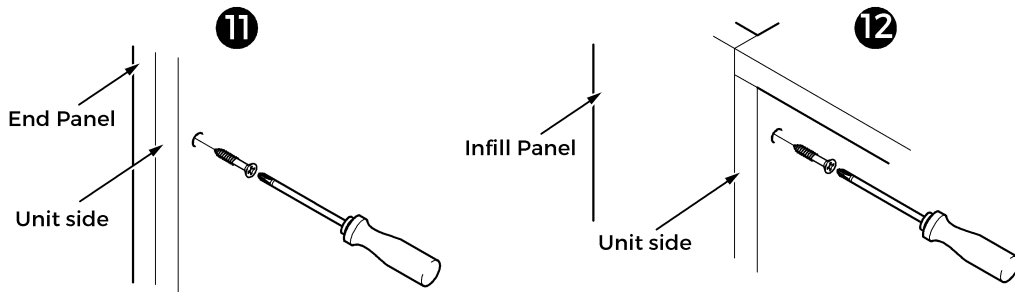
Step 5 - Fitting the Worktop

- Attach supplied worktop L Brackets (10).
- Once fitted follow instructions supplied with worktop to complete



Step 6 - End panels / infill panels

- Not relevant to all vanity units. Screws not supplied.
- End Panels: Cut end panel to required depth and height, then secure to unit side by screwing from inside the unit through to the panel. Ensure the screws are the correct length so as not to break through but are adequate to hold the panel in place (11).
- Infill Panels: Cut panel to the required width and height, then secure to unit side by screwing from inside the unit through to the panel, ensure the screws go in straight (12).

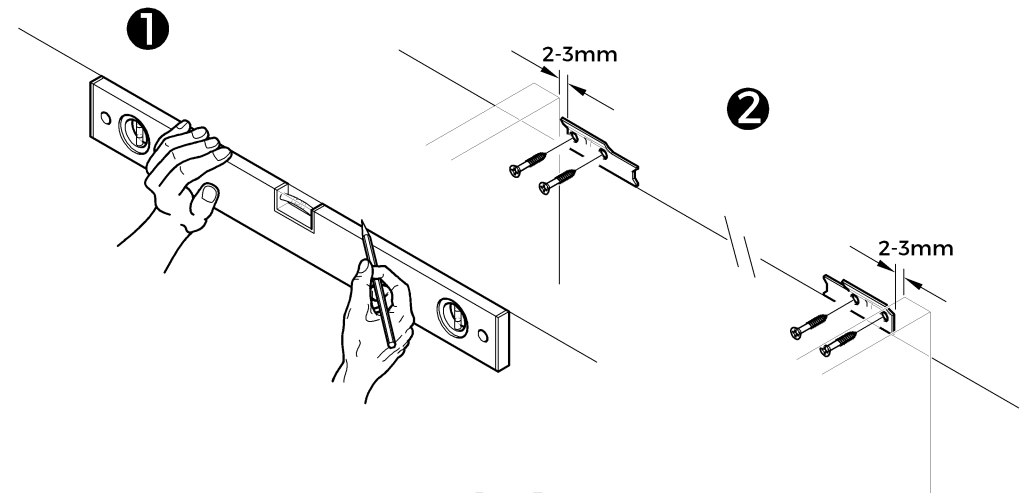


Tools Required (not supplied)

- Pozidrive Screwdriver
- Power Drill & 5mm Bit
- Spirit Level
- Hammer
- Tape Measure
- Saw
- Pencil

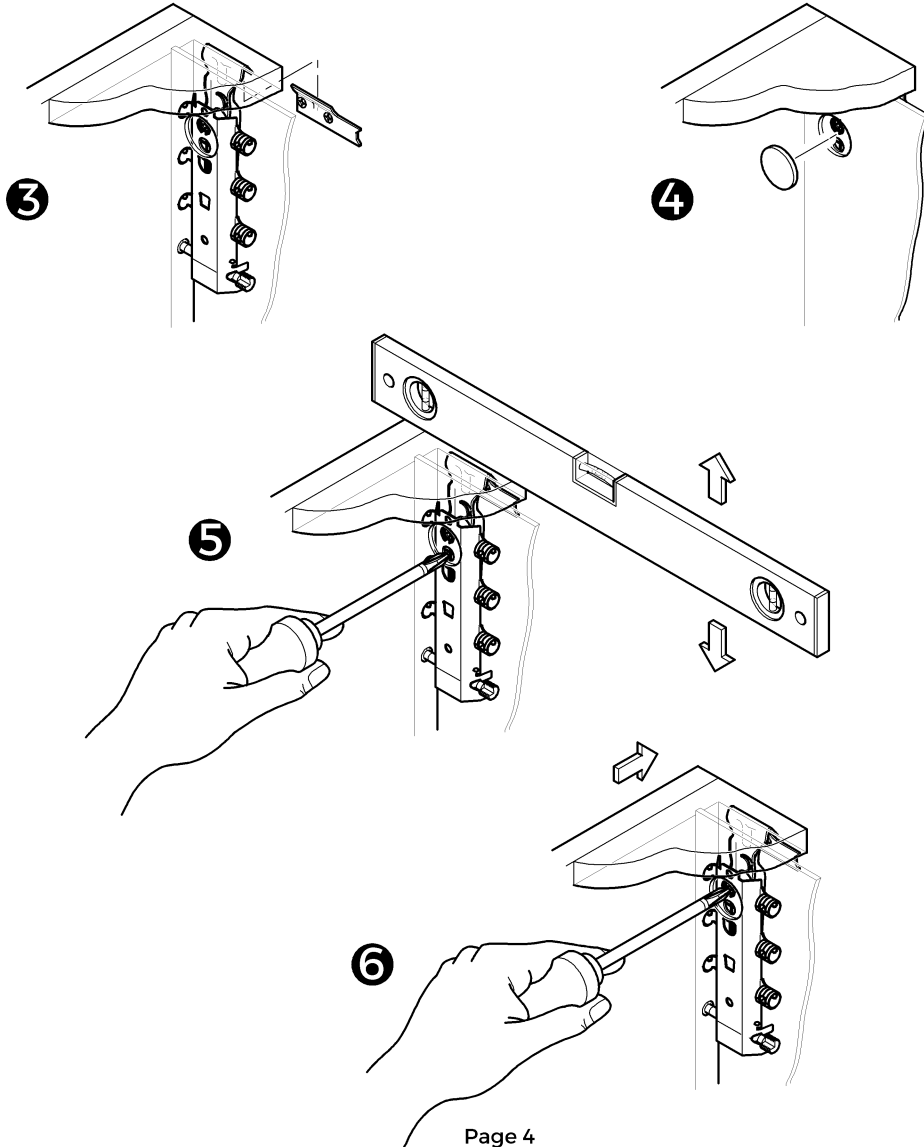
Step 1 - Wall Fixings

- Decide on the height of the Tall Unit and, using a spirit level, draw a horizontal line to work to (1).
- Mark out the internal dimensions of the unit making sure the plates are within the internal dimensions of the unit by 2-3 mm (2).
- Using a Power Drill along with the Wall Plugs and Screws provided, fix the plates in place.
- If the wall is not solid, you will need to use your own fixings. Ensure that they are adequate to support the total weight of the Unit as stated on the packaging.



Step 2 - Hang Unit

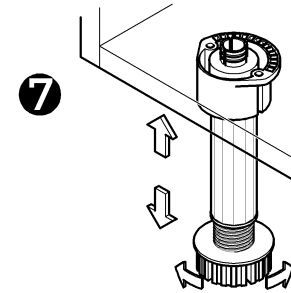
- Hang the unit on the Wall Mounting plates (3).
- Remove the Cover Caps (4).
- Level the unit by adjusting the screw on the bottom of the Hanging Bracket. Use a spirit level (5).
- Once level, tighten the screw on the front of the Hanging Bracket to bring the Unit to the wall (6).



Note: Base Units stand on the floor so will come complete with fitted Legs (7).

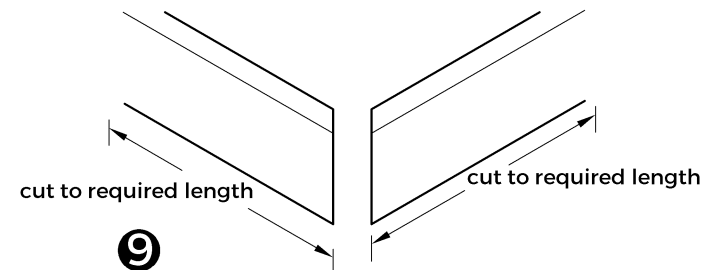
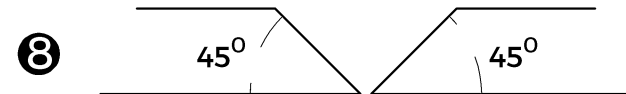
Step 3 - Adjusting the plinth

- To adjust the legs, turn to the left to increase the height or turn to the right to reduce the height. Check the legs are level and then fit the plinth using the clips provided (7).
- Please ensure legs are fitted as per orientation in image to avoid clashing with the plinth.



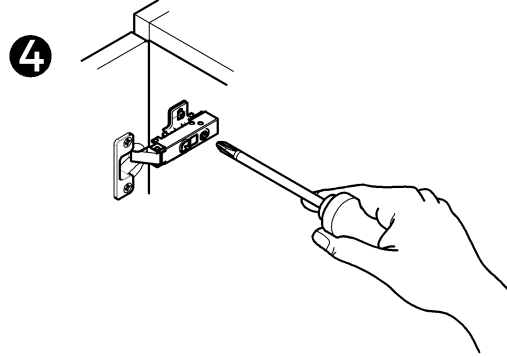
Step 4 - Mitring the plinth

- To turn the corner on the plinth mitre two pieces of Plinth to 45° (8).
- Then cut both to required length (9).



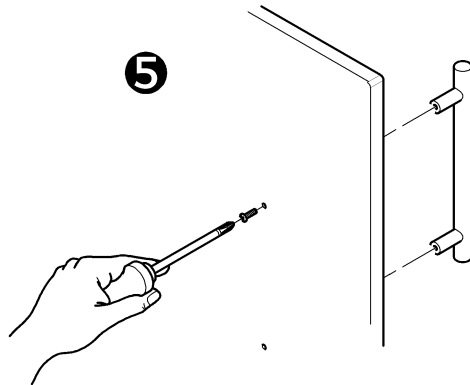
Step 4 - Adjust Hinge

- If the Door requires alteration, adjust screws on the Hinge to required level.



Step 5 - Fitting the Handle

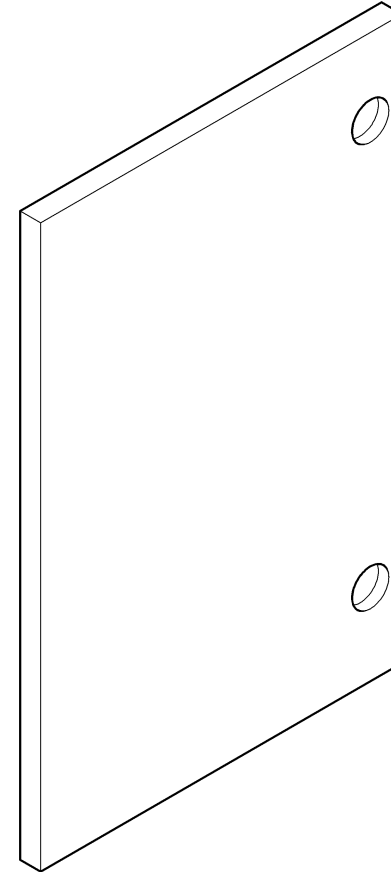
- Attach Handle using Screws provided with Handle.



GUARANTEE

We have taken great care to ensure that this product reaches you in perfect condition. However should any parts be damaged or missing, please contact your point of purchase. This does not affect your statutory rights. In addition, if you require replacement parts your point of purchase will be happy to assist.

Door Installation Instructions



Please note: Images are for illustration purposes only

Please read carefully before attempting to install the door. This leaflet contains instructions, which must be made available to the end user.

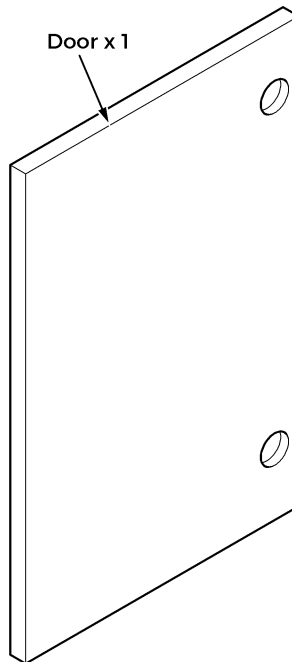
Please check product for imperfections before installing.
Please contact your point of purchase if an imperfection is found.

GENERAL SAFETY INSTRUCTIONS

REMEMBER

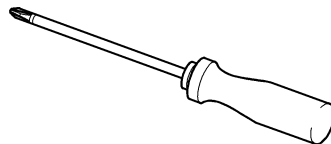
- Handle product with care.
- Use safety eyewear when drilling.
- Keep all small parts away from children.

Fixing and fittings supplied



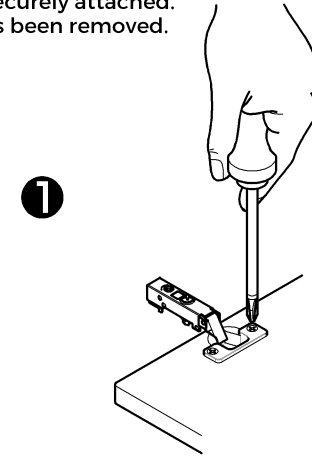
Tools Required (not supplied)

- Pozidrive Screwdriver



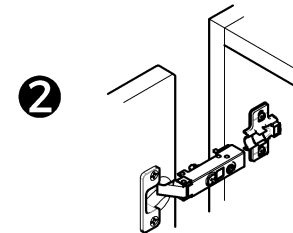
Step 1 - Secure Hinge

- Remove door from packaging and place on a flat surface.
- Ensure that the hinge is securely attached.
- Ensure the plastic film has been removed.



Step 2 - Position Door

- Position the door so that the Hinges align with the Hinge Plate on the Cabinet.
- Before attaching the Hinge to the Hinge Plate, press firmly on the end of the Hinge.



Step 3 - Attach Hinge

- Click Hinge into place on the Hinge Plate.

