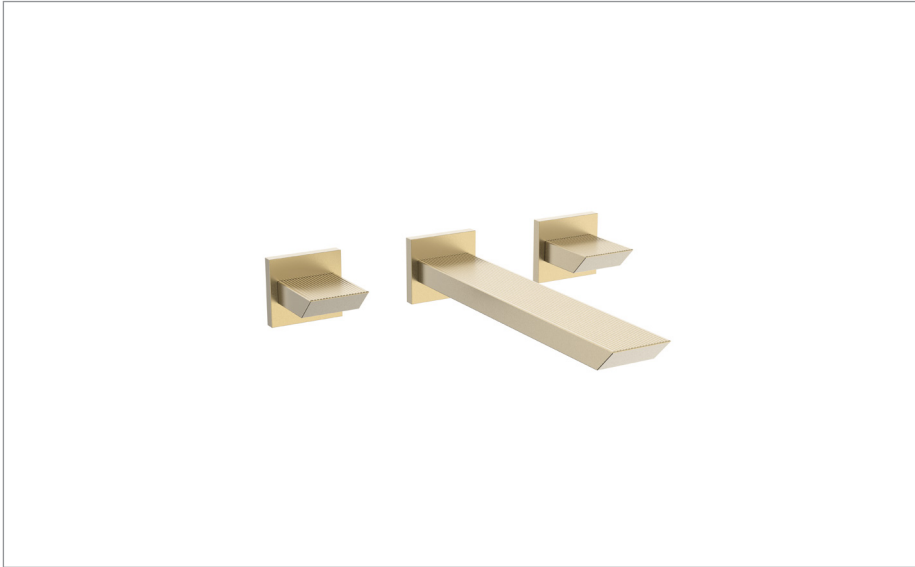


PRODUCT DATA SHEET



PRODUCT CODE

LI130WNF

RANGE

Limit

DESCRIPTION

Limit 3H Basin Set Wall Mounted
Brushed Brass

WEBSITE LINK [Click Here](#)

CATEGORY	Brassware
WARRANTY DETAILS	15 Years
COLOUR	Brushed Brass
FINISH APPLICATION	PVD
PRIMARY MATERIAL	Brass
INSTALL TYPE	Wall Mounted
PRODUCT WIDTH MM	254
PRODUCT HEIGHT MM	50
PRODUCT DEPTH MM	312.3
PRODUCT NET WEIGHT KG	2.25
STANDARDS	BS EN 200:2008

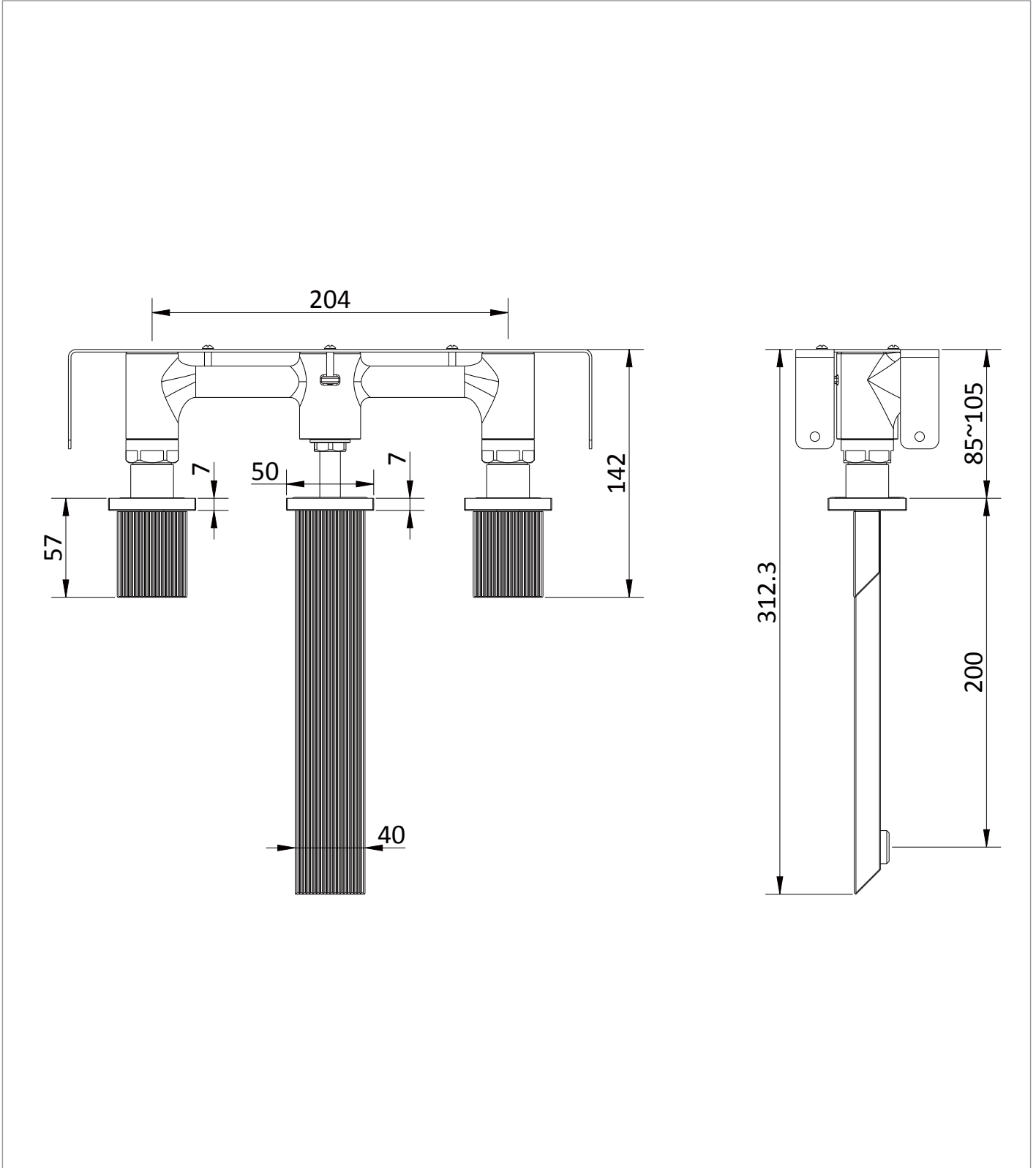
MINIMUM PRESSURE (BAR)	1
MAX WORKING PRESSURE (BAR)	5
HEADWORK	35mm Single lever ceramic cartridge
SPOUT PROJECTION	200
SWIVEL SPOUT	No
INLET CONNECTIONS THREAD	G1/2"
FLOW REGULATOR	Cache
WASTE INCLUDED	No
ANTI-SCALD	No
ENERGY SAVING	No
SHOWER HOSE & HANDSET ARE INCLUDED	No

PRESSURE (BAR)	0.2	0.5	1	2	3	4	5
PRIMARY FLOWRATE			4.46	4.95	5.68	5.45	5.42
HANDSET FLOWRATE							
MESSAGE FLOW RATE							
AIR FLOW RATE							
WIRE FLOW RATE							
WATERFALL FLOW RATE							
MIST FLOW RATE							
HANDSPRAY FLOW RATE							

TECHNICAL DIMENSIONS

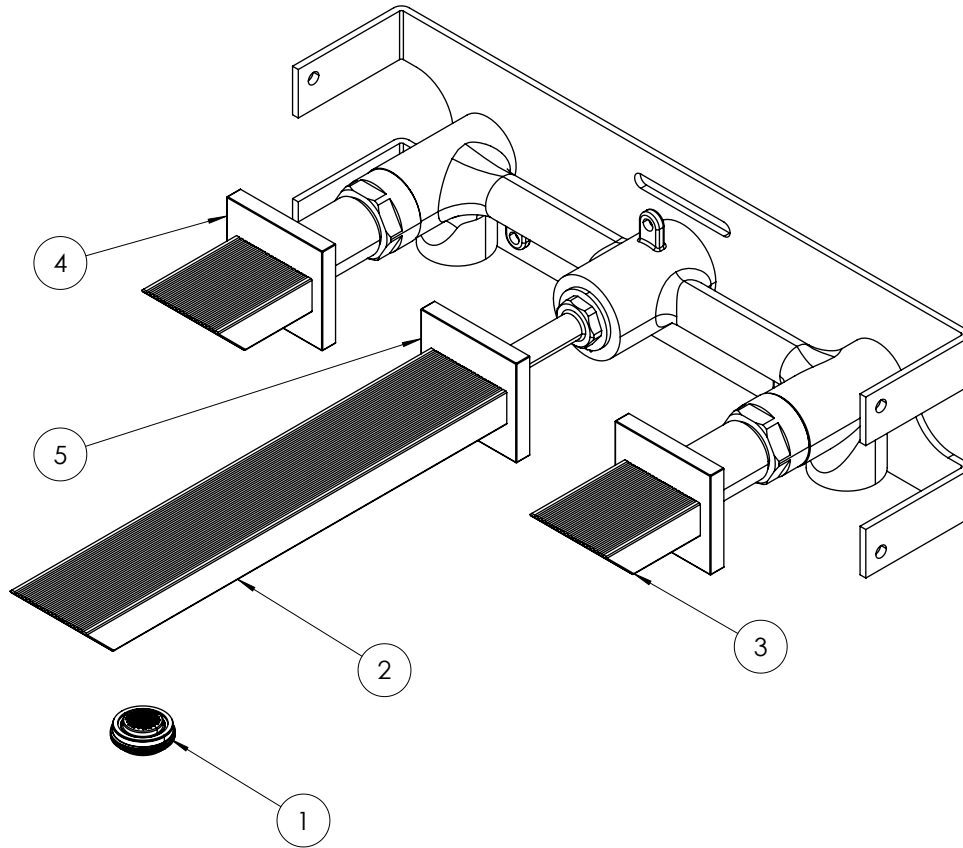
Dimensions in mm unless otherwise specified.

Tolerances (per material type) apply.



SPARES LIST

Only the parts labelled are available as spares.



NUMBER	PART CODE	DESCRIPTION
1	821401	Limit 110/112/130/135 Aerator
2	616001C	Limit 130 120 Spout Chrome
	616001F	Limit 130 120 Spout Brushed Brass
	616001M	Limit 130 120 Spout Matt Black
3	957401C	Limit 120 Lever Chrome
	957401F	Limit 120 Lever Brushed Brass
	957401M	Limit 120 Lever Matt Black
4	932701C	Limit 130 & 135 On Off Plate Single Chrome
	932701F	Limit 130 & 135 On Off Plate Single Brushed Brass
	932701M	Limit 130 & 135 On Off Plate Single Matt Black
5	932801C	Limit 130 & 135 Plate Spout Chrome
	932801F	Limit 130 & 135 Plate Spout Brushed Brass
	932801M	Limit 130 & 135 Plate Spout Matt Black