

SOFTLINE

SERIES

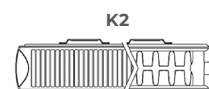
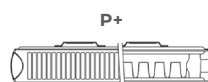


COMPACT

SOFTLINE COMPACT



50 Δ t
(75/65/20°C)



Height mm	Length mm	K1		P+			K2			
		Stelrad UIN	Heat output Watts	Btu/hr	Stelrad UIN	Heat output Watts	Btu/hr	Stelrad UIN	Heat output Watts	Btu/hr
300	500	80301105	255	870	-	-	-	80302205	491	1676
	1000	80301110	509	1737	-	-	-	80302210	982	3352
	1500	80301115	764	2608	-	-	-	80302215	1473	5027
	2000	80301120	1018	3474	-	-	-	80302220	1964	6703
450	400	80451104	302	1031	-	-	-	80452204	548	1870
	500	80451105	378	1290	-	-	-	80452205	686	2341
	600	80451106	454	1550	-	-	-	80452206	823	2809
	700	80451107	529	1805	-	-	-	80452207	960	3276
	800	80451108	605	2065	-	-	-	80452208	1097	3744
	900	80451109	680	2321	-	-	-	80452209	1234	4212
	1000	80451110	756	2580	80452110	1055	3601	80452210	1371	4679
	1100	80451111	832	2840	80452111	1161	3962	80452211	1508	5147
	1200	80451112	907	3096	80452112	1266	4321	80452212	1645	5614
	1400	80451114	1058	3611	80452114	1477	5041	80452214	1919	6550
	1600	80451116	1210	4130	80452116	1688	5761	80452216	2194	7488
	1800	80451118	1361	4645	-	-	-	80452218	2468	8423
2000	80451120	1512	5160	-	-	-	80452220	2742	9358	
600	400	80601104	392	1338	80602104	538	1836	80602204	693	2365
	500	80601105	490	1672	80602105	673	2297	80602205	866	2956
	600	80601106	588	2007	80602106	807	2754	80602206	1039	3546
	700	80601107	686	2341	80602107	942	3215	80602207	1212	4137
	800	80601108	784	2676	80602108	1076	3672	80602208	1386	4730
	900	80601109	882	3010	80602109	1211	4133	80602209	1559	5321
	1000	80601110	980	3345	80602110	1345	4590	80602210	1732	5911
	1100	80601111	1078	3679	80602111	1480	5051	80602211	1905	6502
	1200	80601112	1176	4014	80602112	1614	5509	80602212	2078	7092
	1400	80601114	1372	4683	80602114	1883	6427	80602214	2425	8277
	1600	80601116	1568	5352	80602116	2152	7345	80602216	2771	9457
	1800	80601118	1764	6021	-	-	-	80602218	3118	10642
2000	80601120	1960	6689	-	-	-	80602220	3464	11823	
700	400	80701104	447	1526	-	-	-	80702204	784	2676
	500	80701105	559	1908	-	-	-	80702205	981	3348
	600	80701106	670	2287	-	-	-	80702206	1177	4017
	700	80701107	782	2669	-	-	-	80702207	1373	4686
	800	80701108	894	3051	-	-	-	80702208	1569	5355
	900	80701109	1005	3430	-	-	-	80702209	1765	6024
	1000	80701110	1117	3812	-	-	-	80702210	1961	6693
	1100	80701111	1229	4195	-	-	-	80702211	2157	7362
	1200	80701112	1340	4573	-	-	-	80702212	2353	8031
	1400	80701114	1564	5338	-	-	-	80702214	2745	9369
	1600	80701116	1787	6099	-	-	-	80702216	3138	10710
	1800	80701118	2011	6864	-	-	-	80702218	3530	12048
2000	80701120	2234	7625	-	-	-	80702220	3922	13386	
900	400	80901104	544	1856	-	-	-	80902204	958	3269
	500	80901105	680	2320	-	-	-	80902205	1198	4088
	600	80901106	816	2784	-	-	-	80902206	1437	4903
	700	80901107	952	3248	-	-	-	80902207	1677	5722
	800	80901108	1088	3712	-	-	-	80902208	1916	6537
	900	80901109	1224	4176	-	-	-	80902209	2156	7356
	1000	80901110	1360	4640	-	-	-	80902210	2395	8172

Δ t50 is the UK's industry standard for heating outputs, which has an operating temperature of 75/65/20°C. If you have a low temperature heat source you may wish to consider Δ t40 or Δ t30 output (see your installer or system designer or download from www.stelrad.com).

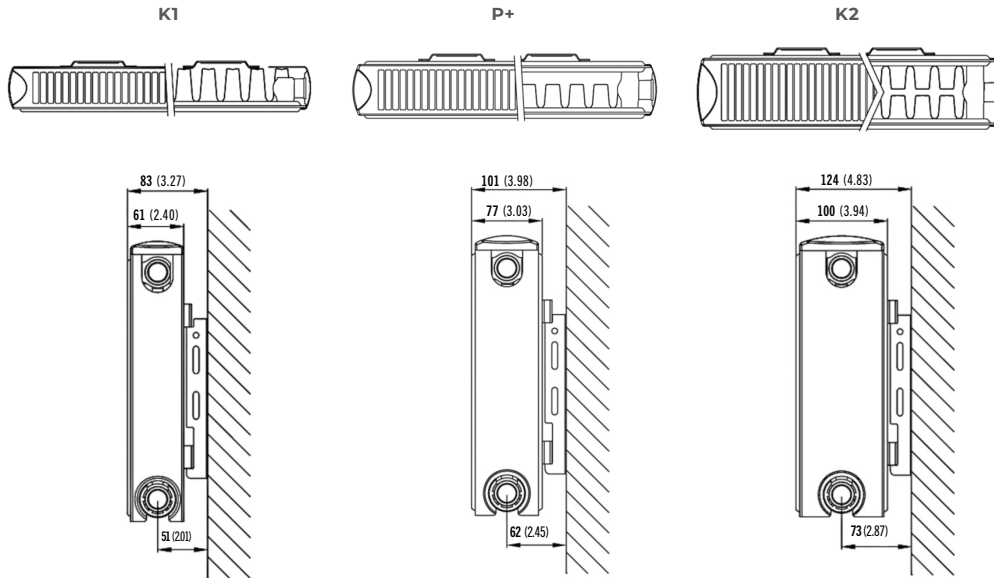
For EN442 data, technical and installation information please visit our website: www.stelrad.com and search product downloads.

SOFTLINE COMPACT



WALL MOUNTING INFORMATION

All dimensions in mm. Inches in brackets.
Floor mounting brackets available.

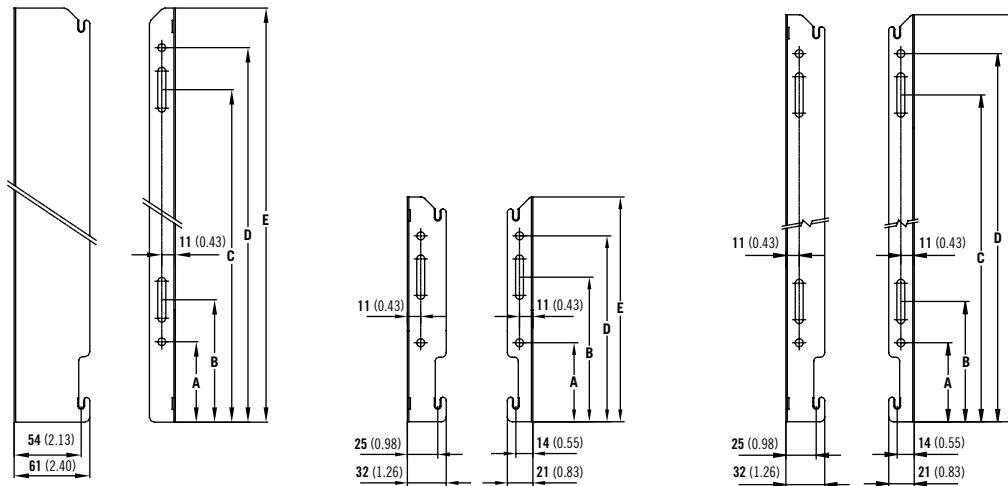


BRACKET POSITION

A = Closest to wall B = Furthest from wall (R) = Recommended mounting position.

COMPACT MOUNTING BRACKETS

All dimensions in mm. Inches in brackets. Floor mounting brackets available.



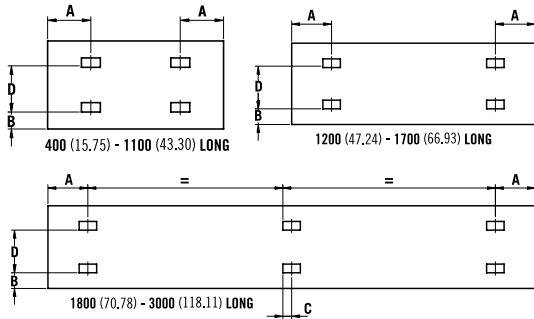
Dimensions	mm	inches	mm	inches	mm	inches	mm	inches	mm	inches
Height	300	11.81	500	17.72	600	23.62	700	27.56	900	35.43
A	65	2.56	65	2.56	65	2.56	65	2.56	65	2.56
B	119	4.69	99	3.90	99	3.90	99	3.90	99	3.90
C	-	-	269	10.59	419	16.50	519	20.43	719	28.31
D	153	6.02	303	11.93	453	17.83	553	21.77	753	29.65
E	185	7.28	335	13.19	485	19.09	585	23.03	785	30.91

SOFTLINE COMPACT



K1, P+ AND K2 LUG POSITIONS

All dimensions in mm. Inches in brackets.



P+ & K2

Dimensions	mm	in
A	133	5.24
B	60	2.36

K1

Dimensions	mm	in
A 400mm	117	4.61
A 500 - 3000mm	150	5.91
B 400 - 3000mm	60	2.36
C 1800 - 3000mm	17	0.67

PANEL HEIGHT

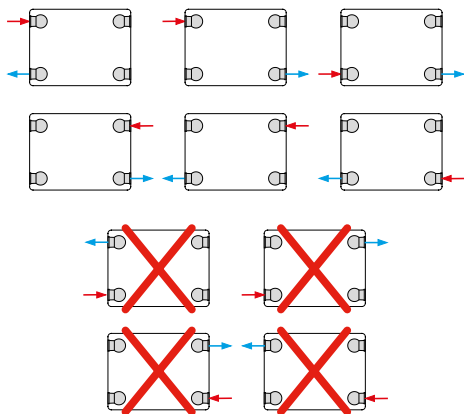
D

mm	in	mm	in
300	11.81	153	6.02
500	17.72	303	11.93
600	23.62	453	17.83
700	27.56	553	21.77
900	35.43	753	29.65

CONNECTIONS

Each radiator comes with ½" inlet connections as standard.

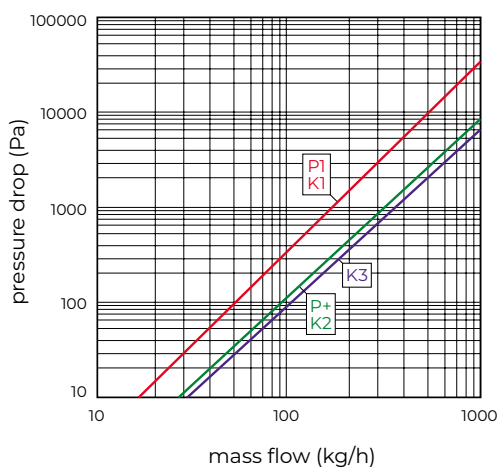
PIPING OPTIONS



EN 442 CERTIFICATION DATA - CETIAT TESTED IN ACCORDANCE WITH BS EN 442

Type	K1					P+				K2				
	300	450	600	700	900	300	450	600	700	300	450	600	700	900
Height	300	450	600	700	900	300	450	600	700	300	450	600	700	900
W/m at 75/65/20	509	756	980	1117	1360	745	1055	1345	1530	982	1371	1732	1961	2395
n-coefficients	1.32	1.31	1.29	1.29	1.29	1.33	1.33	1.34	1.34	1.33	1.33	1.33	1.34	1.34
Heated surface area (m ² /m)	2.09	3.37	4.66	5.51	7.22	2.44	3.84	5.24	6.18	3.51	5.62	7.74	9.15	11.97
Weight (kg/m)	9.31	14.51	19.70	22.90	29.30	14.29	22.04	29.80	34.50	16.80	25.90	35.00	40.53	51.60
Water contents (l/m)	1.89	2.57	3.25	3.77	4.80	3.70	5.15	6.60	7.63	3.70	5.15	6.60	7.63	9.70
Wall to tap centre (mm)	51	51	51	51	51	62	62	62	62	73	73	73	73	73

PRESSURE DROPS



Type	Kv
P1 / K1	1.67
P+ / K2	3.32
K3	3.65