

TECHNICAL DATA SHEET

Product Code: **187603**

Product Description: iflo Eresma Soft Close Seat & Cover

Product Image:



Product Specification

Dimensions: 444*38*360mm

Materials: Urea-Formaldehyde

Fitting: Top fixing screw



Standards:

Approvals:

TECHNICAL DATA SHEET

Additional Information

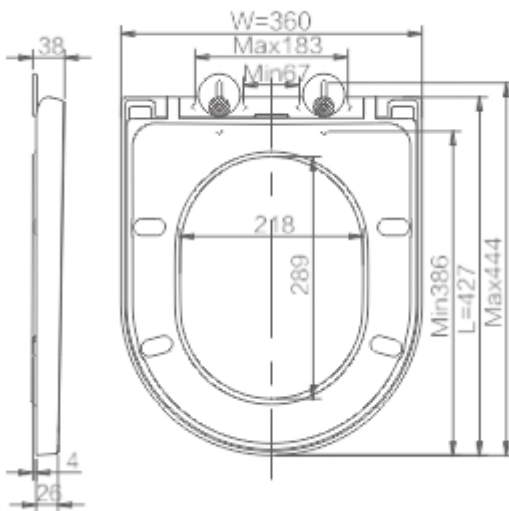
Features & Benefits:

- 120,000 Times forced close lifetime technology
- 25° Quick reaction soft close technology
- Adjustable SUS304 top fix hinge
- Recommended for iflo Eresma toilets

Other information

Always inspect prior to assembly

Technical Drawings



Guarantee: 2years

EU GPSR Single Point of Contact: Product.compliance@highbournegroup.co.uk