

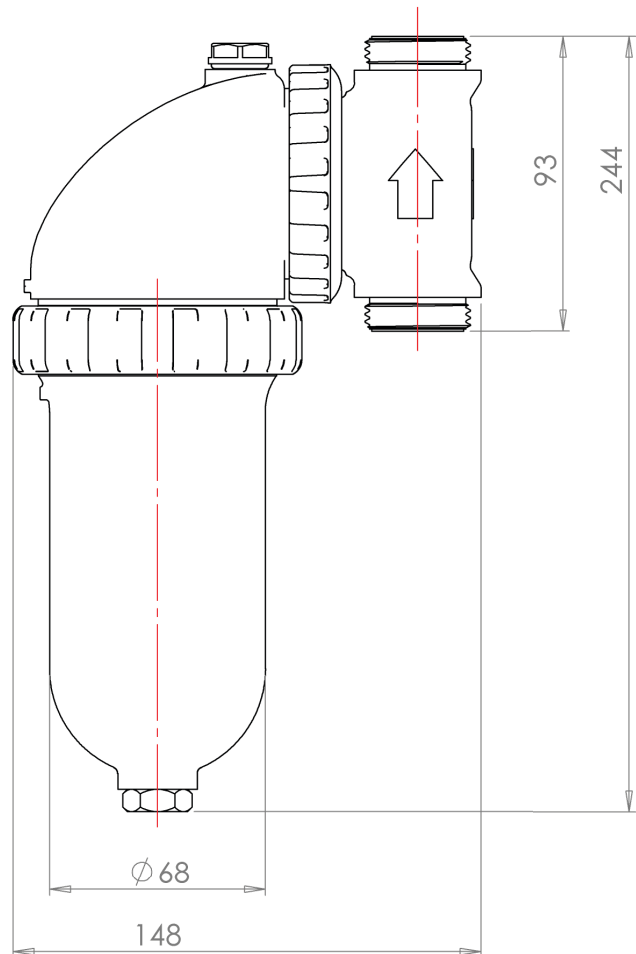
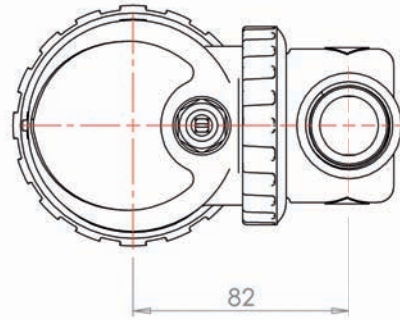
Warranty 3 years
Install 360° adjustment

Bowl and lid

Material PA 6,6 30% GFRP
Fluid capacity 500ml
Inlet diameter 22mm at valve
Outlet diameter 22mm at valve
Thread Pressure thread
Working pressure 3 bar

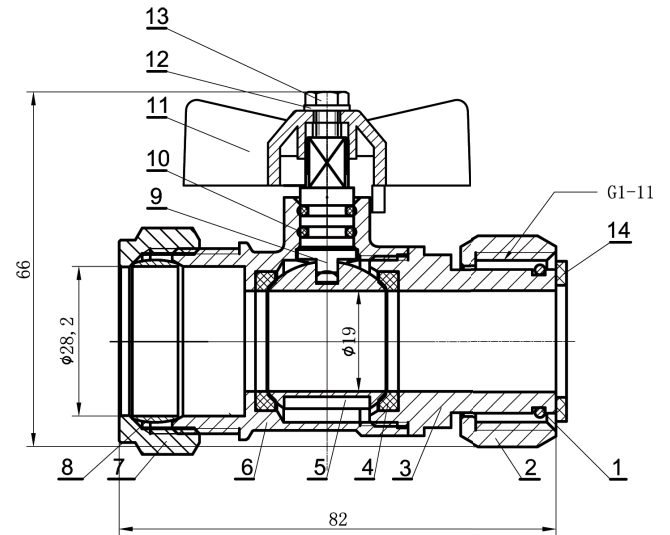
Magnet

Housing Stainless steel
Length 132.5mm
Diameter 25.4mm
Maximum capacity 400g



Isolation valves

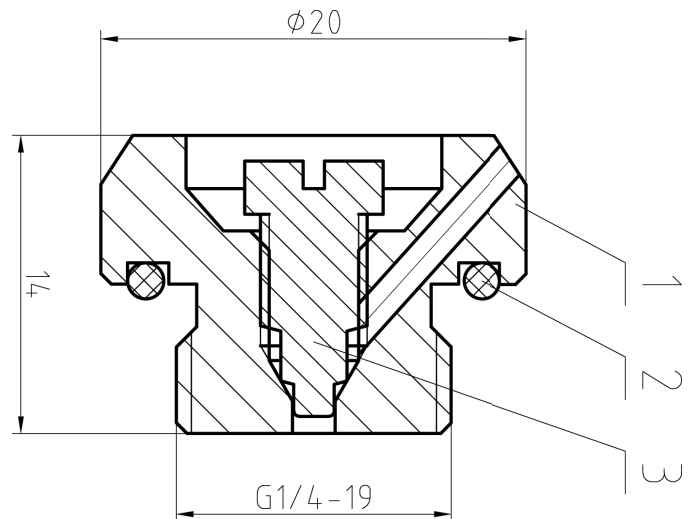
1. Snap spring	SS302
2. Nut	Brass
3. Body end	Brass
4. Seal	PTFE
5. Ball	Brass
6. Body	Brass
7. 28mm nut	Brass
8. 28mm O-ring	Brass
9. Stem	Brass
10. O-ring	NBR
11. Handle	Aluminium
12. Washer	Steel
13. Screw	Steel
14. Seal	NBR



22mm and 28mm available

Vent

1. Body	Brass
2. O-ring	NBR
3. Valve	Brass



Drain plug

Body	Brass
O-ring	NBR

For details of your local stockist or for more information
 visit www.boilermag.com
 or contact **+44 (0)114 225 0624**
services@eclipsemagnetics.com