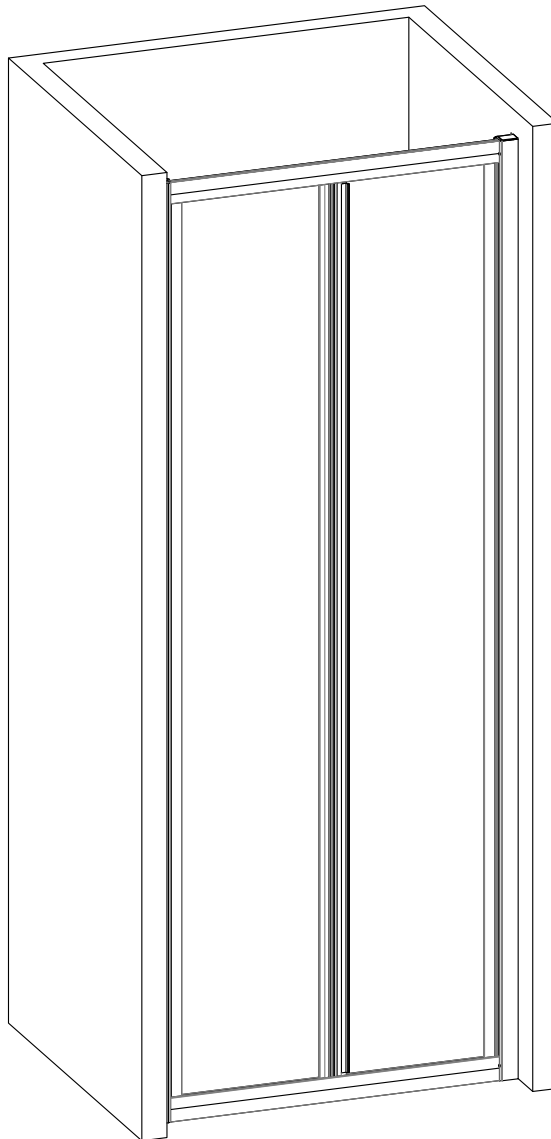


# Folding Door Installation Instructions

## Left Hand

Image shows shower enclosure door moves leftwards.  
when door moves rightwards  
please mirror the installation  
process.



## Important Note on Safety Glass

In order to comply with European Regulatory Requirements, all of our shower enclosures/bath screens undergo a thermal toughening process.

This process makes the glass significantly stronger compared to standard glass, however in the unlikely event the glass should break during use, the glass in its entirety will shatter into small manageable fragments, the intention of this ensures avoiding large dangerously sharp shards of glass

# Important - Please Read

- Important: The wall plugs included in this pack are for solid walls only. If the product is to be mounted on a partition or stud wall, specialised fixings should be purchased separately-your local building merchant should be able to ensure you have the correct fixings for intended wall type.
- CAUTION!  
Before drilling into any walls check that there are no hidden cables or pipes. Exercise great care when using power tools near water. The use of a residual current device (RCD) or cordless drill is recommended. Always double check the positioning and measurements before drilling holes.
- This product is heavy and requires two people during lifting and installation.
- Glass is delicate, support on cardboard to minimise the risk of damage.

## Product Information

- Folding Door  
760mm Folding Door-adjustment =725-765mm  
800mm Folding Door-adjustment =765-805mm  
900mm Folding Door-adjustment =865-905mm

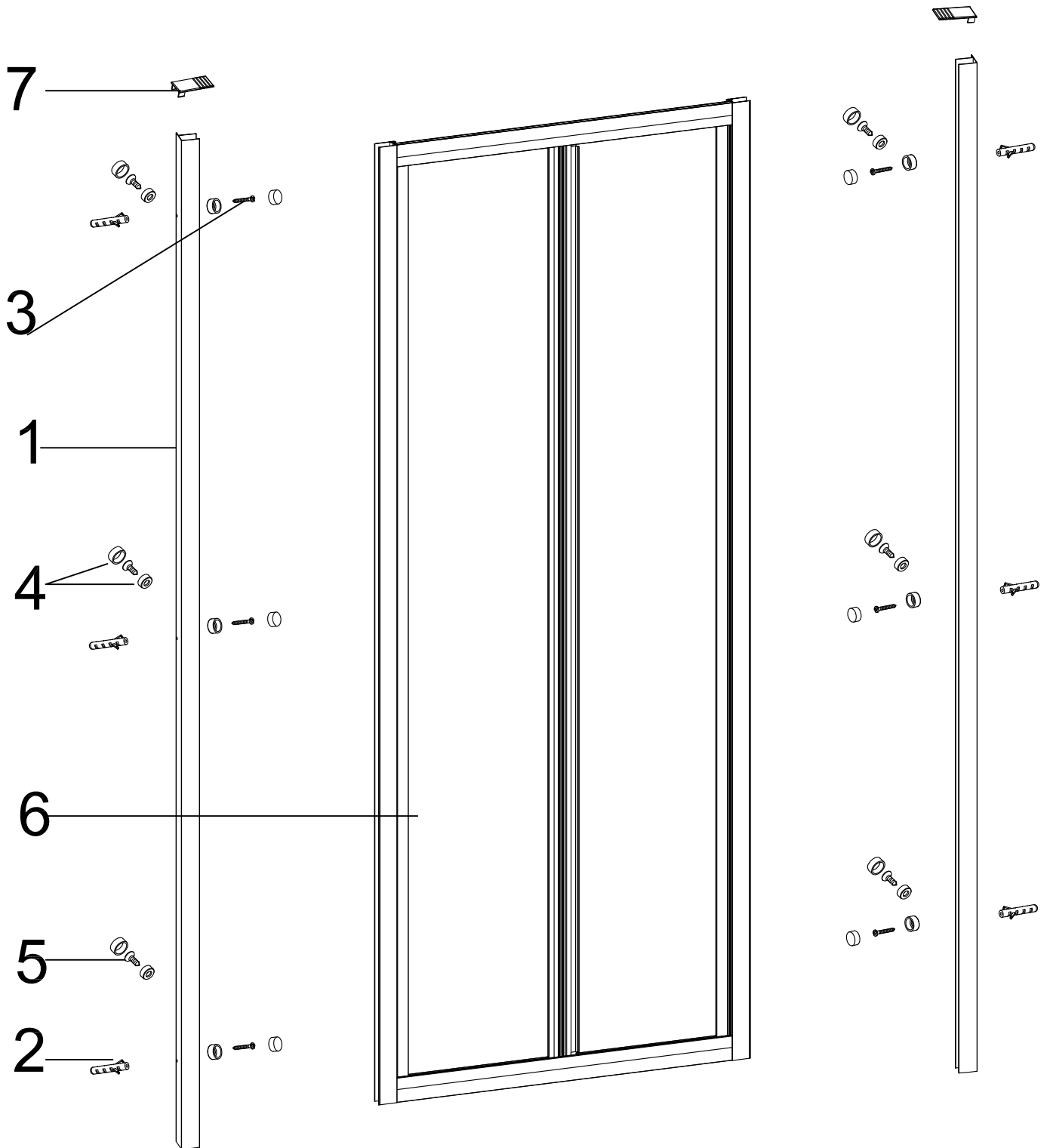
## Installation Tips

- Fixing tips; A piece of insulating tape or a couple of layers of masking tape applied to the wall before marking out the fixing holes will help stop the drill from wandering, particularly on tiled surfaces.
- When working near a basin or bath insert the plug into the waste, this will help you avoid losing small parts. Also take care not to drop accessories or tools onto the bath or basin, use a towel or bathmat to protect delicate surfaces.
- Do not fix the wall profile to newly plastered,painted or papered walls as chemical reaction may cause discolouration to surface finish.
- Check that the tray has been installed to the manufacturer's instructions.  
Please note-All product is supplied without a tray

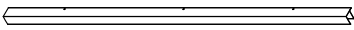
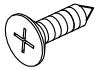
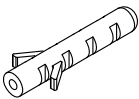

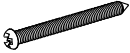
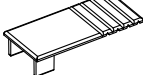
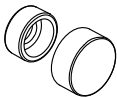
## Legal statement

- We have taken great care to ensure that this product reaches you in perfect condition. However should any parts be damaged or missing please contact your point of purchase. This does not affect your statutory rights. In addition if you require replacement parts your point of purchase will be happy to assist.

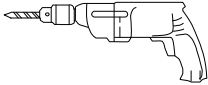


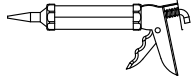


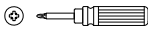

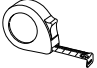
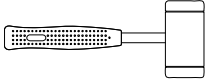
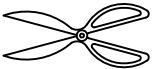


# IDENTIFICATION OF PARTS



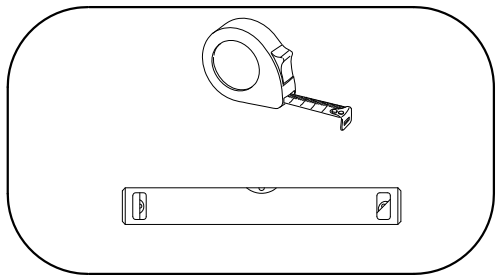
## Fixings & fittings supplied

Item No.:	Part	Quantity	Item No.:	Part	Quantity
1	Aluminium Profiles 	x2	5	 ST3.5X10 Profile Screws	x6
2	 Wall Plugs(Solid Walls)	x6	6	 Bi-Fold Door	x1
3	 ST3.9X35 Wall Screws	x6	7	 Profile covers	x2
4	 Screw cover caps	x12			

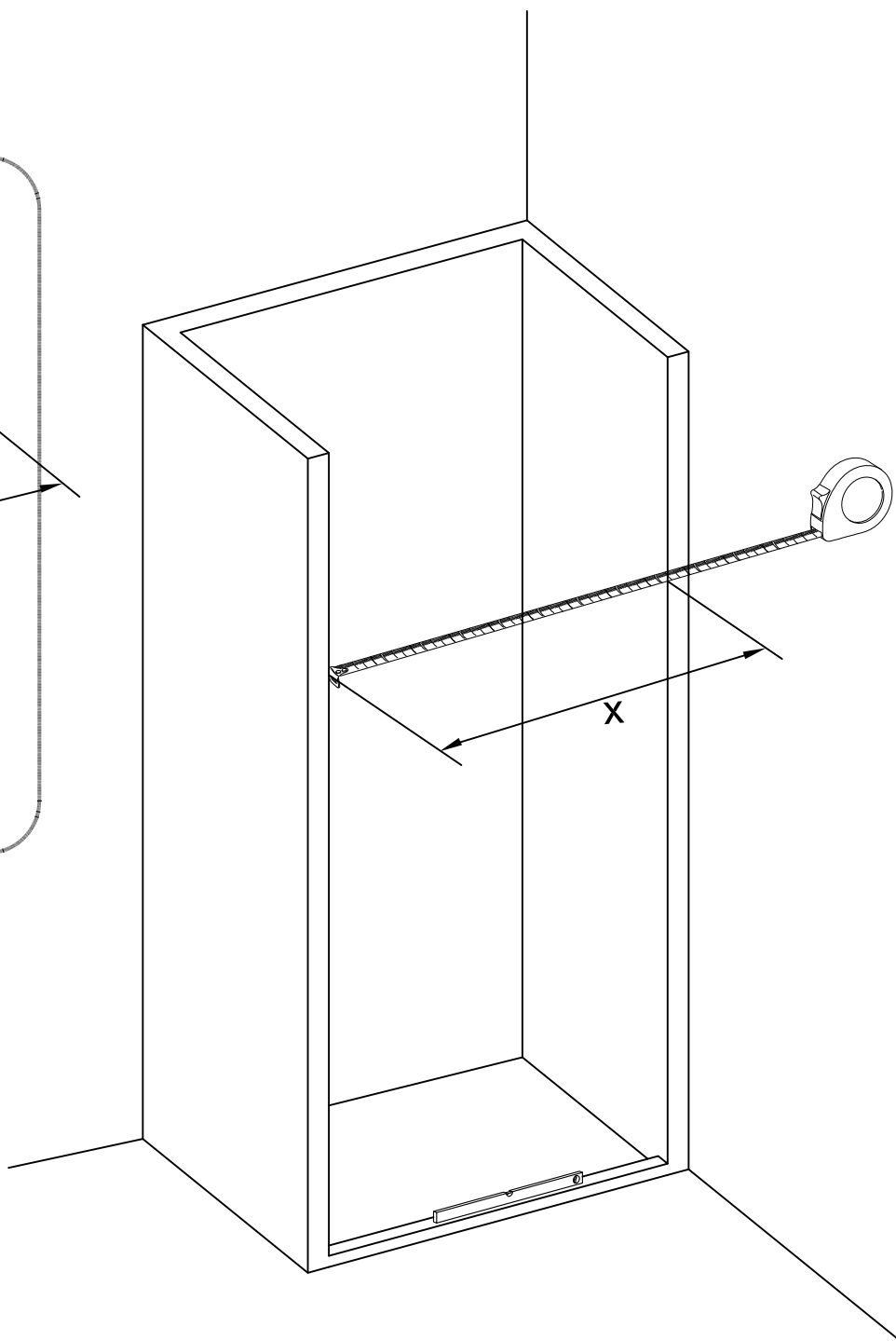
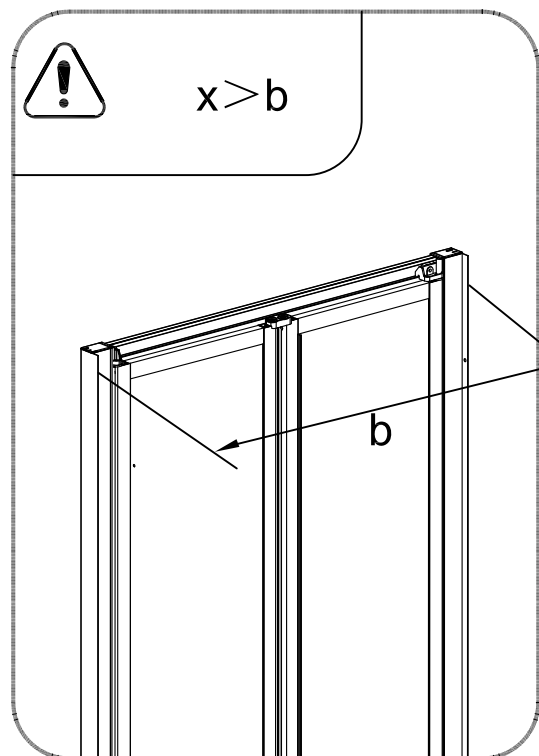
## Tools required(not supplied)

Electric Drill		pencil	
Ø3mm HSS drill bit		Silicone sealant gun	
Ø6Masonry drill bit		Silicone sealant	
Cross-Head screwdriver		Spirit level	
Tape Measure		Rubber mallet	
Scissors		Eye Protection	
Gloves			

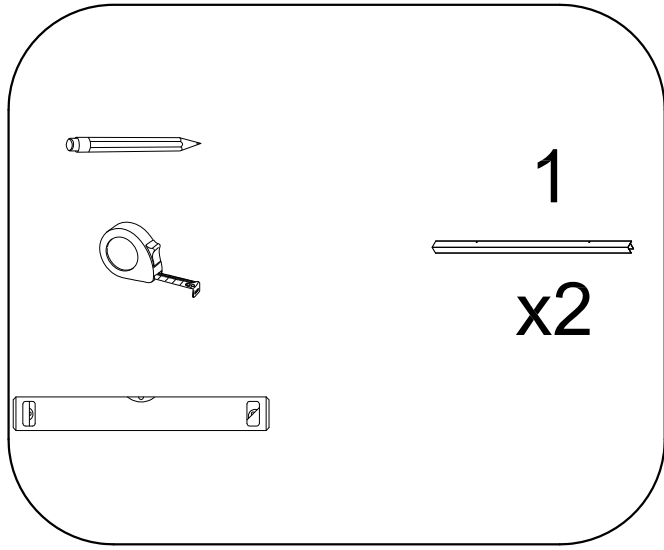
# ① ASSEMBLY INSTRUCTIONS



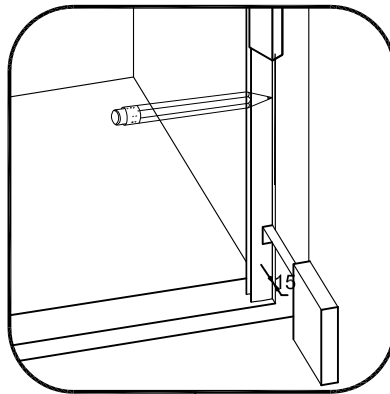
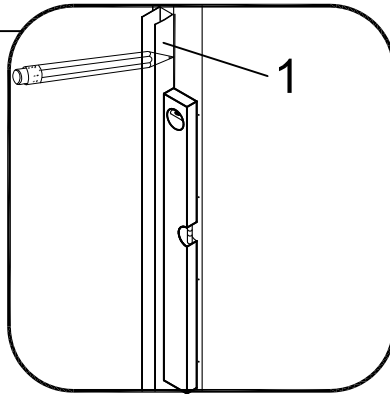
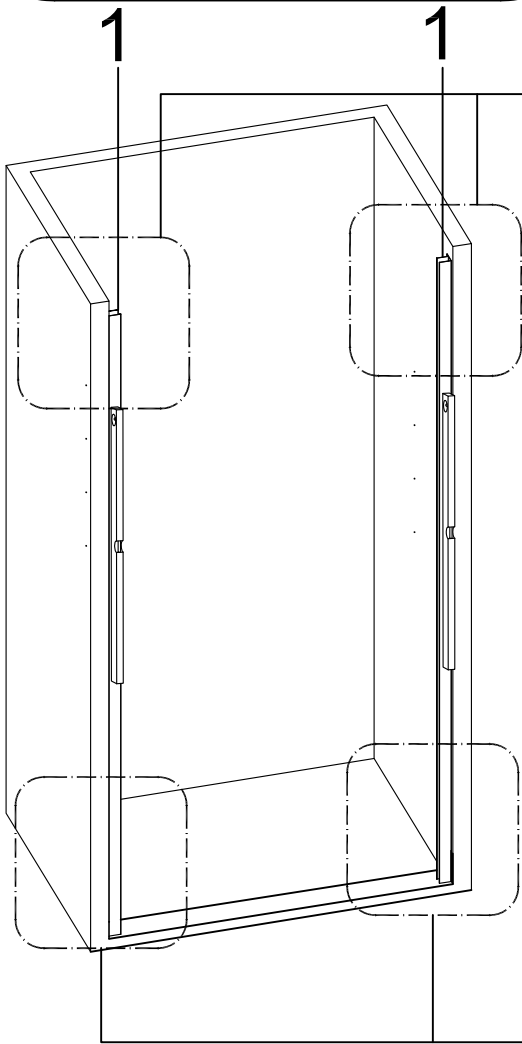
-Double check dimensions of recess and ensure suitability of product .



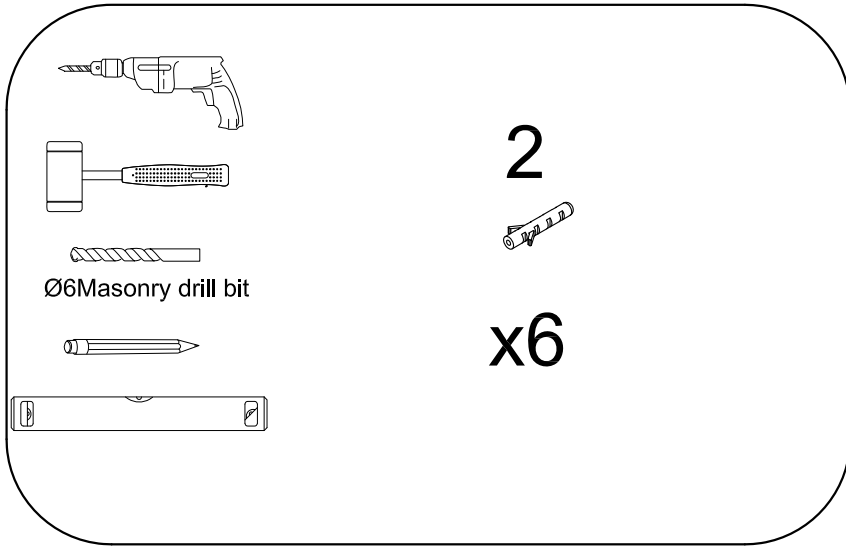
## ② ASSEMBLY INSTRUCTIONS



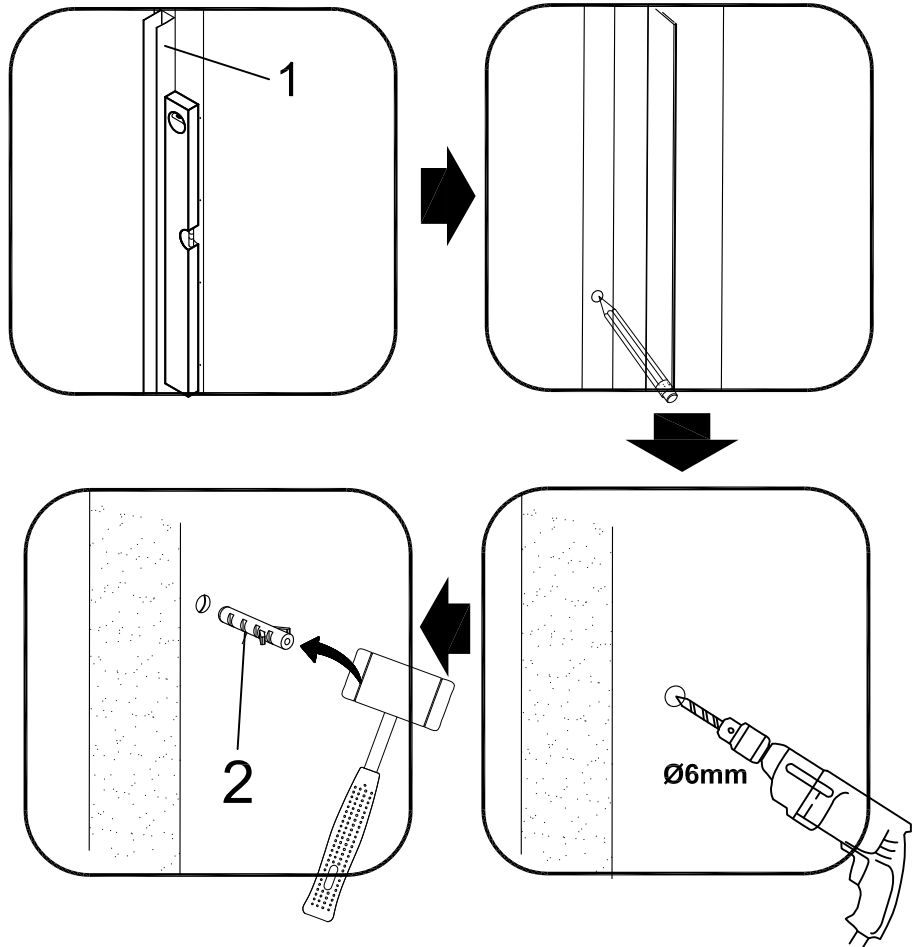
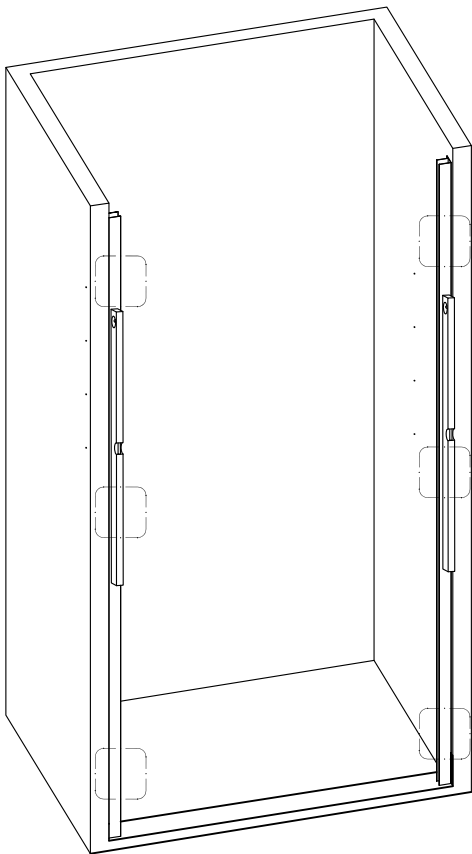
-Position wall channel (1) with spirit level and tape measure to ensure alignment



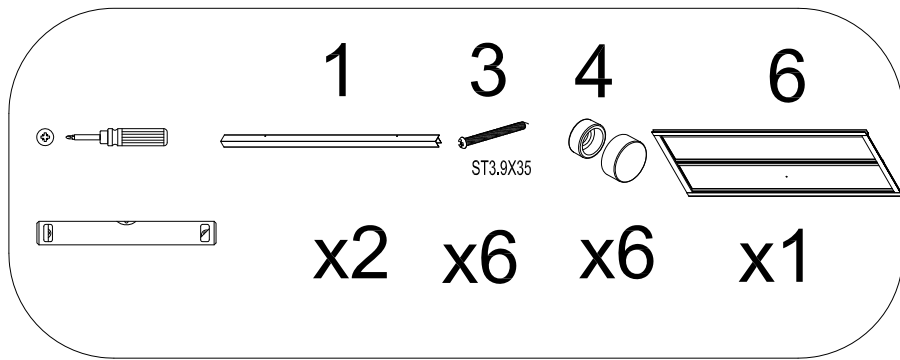
# ③ ASSEMBLY INSTRUCTIONS



- Position wall channel (1) with spirit level
  - Using a pencil to mark the positions of the pre-drilled fixing holes on the wall channel (1) against the wall.
  - Drill the marked holes using a 6mm masonry drill bit.
  - Using rubber hammer to install supplied wall plugs (2).
- Note: only where suitable for wall type.



# ④ ASSEMBLY INSTRUCTIONS

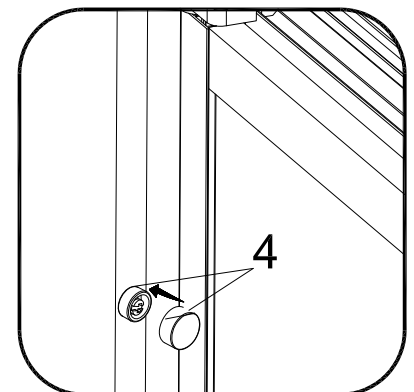
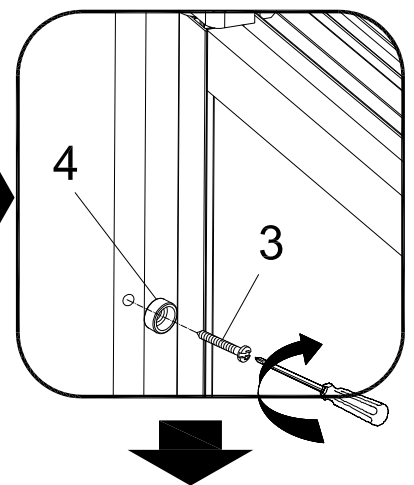
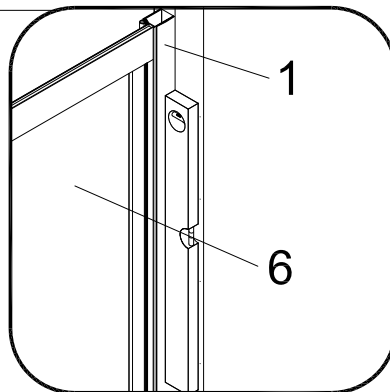
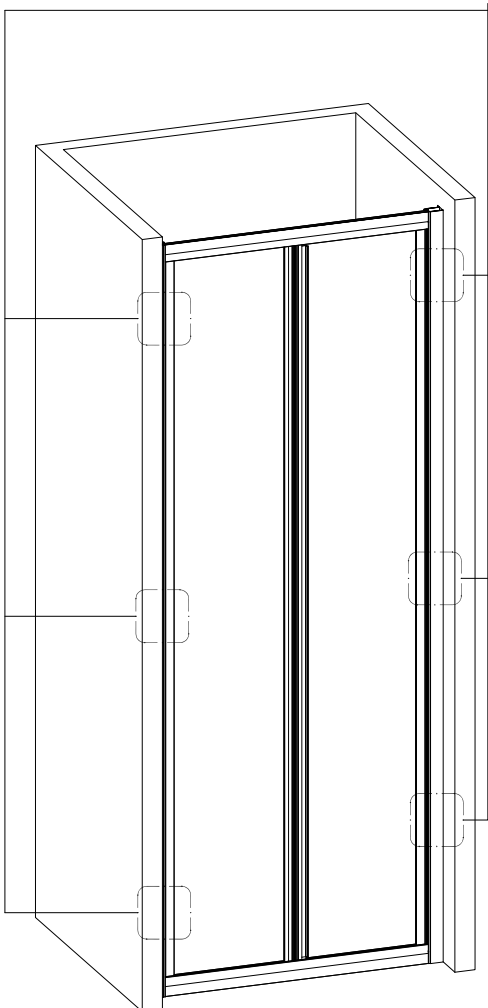


-Insert two wall profiles (1) onto right and left sides of folding door frame (6).

-Position wall channels (1) with spirit level to ensure the drilled holes on the wall profile aligned with drilled holes on the wall .

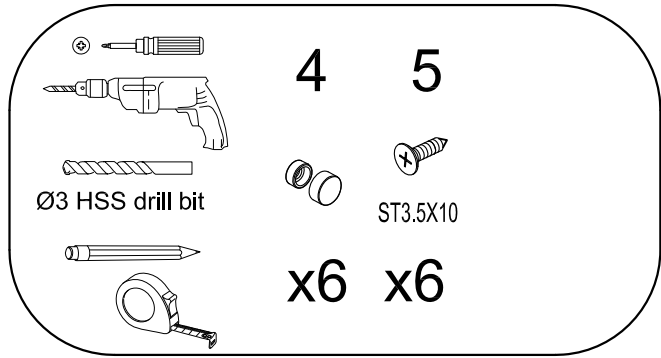
-Using screws (3) to fix the wall profile (1) via hole of one part of cap (4) ,then covering the screws with the other part of cap (4).

Note: Cap (4) include two parts , one part is with holes ,the other part is without holes.





# 5 ASSEMBLY INSTRUCTIONS

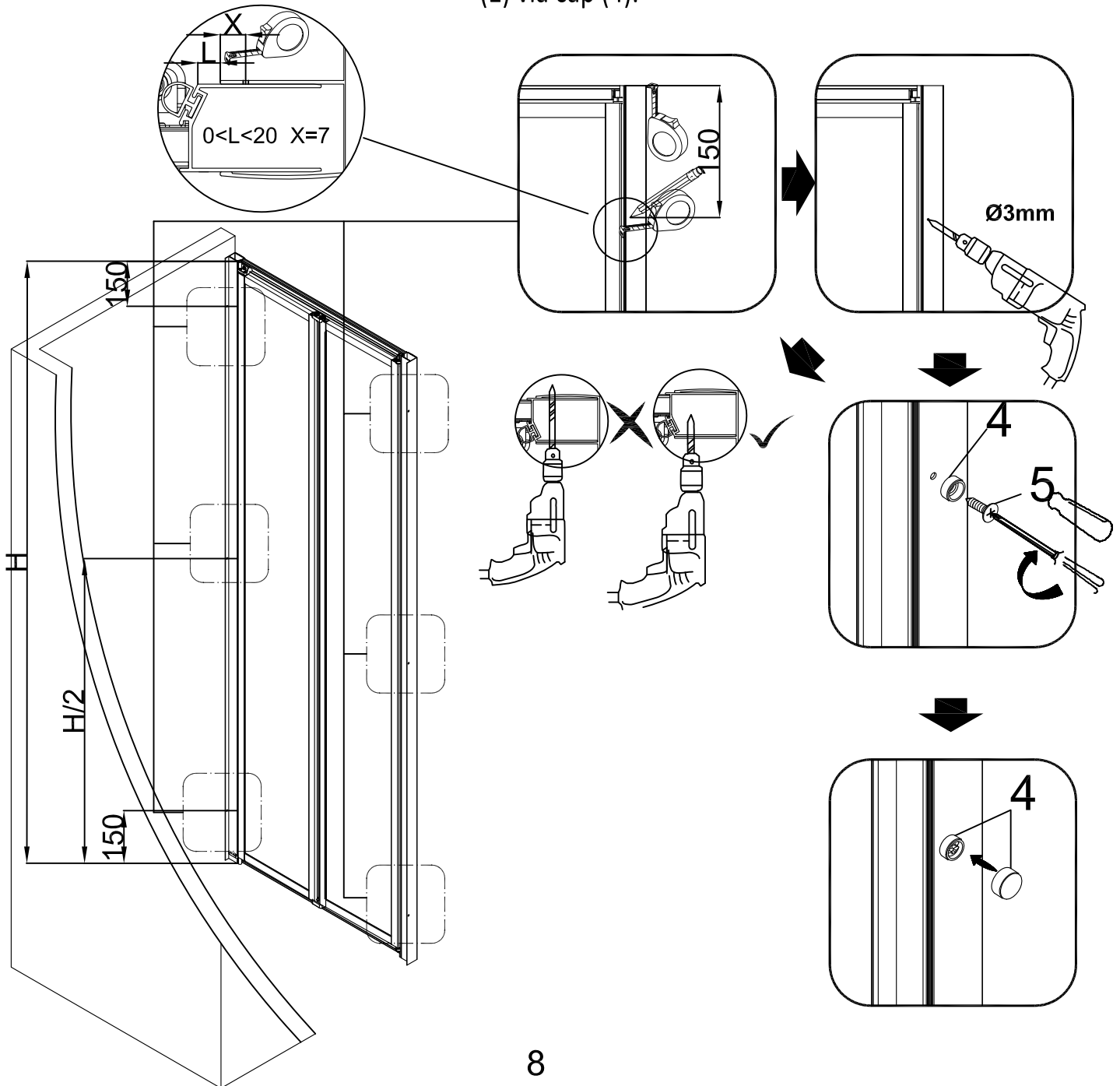


-There is 20mm of adjustment on each profile ,allowing for the square positioning of frame (6) ,making the "X" size to be 7mm.

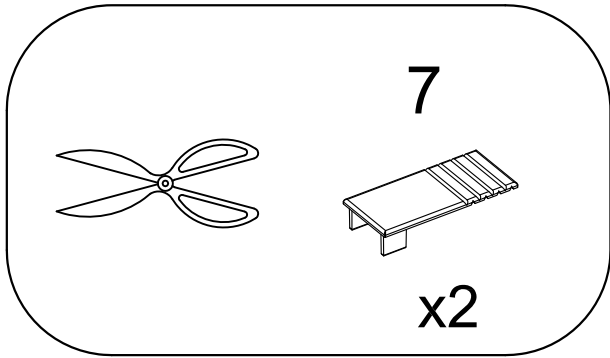
-Using pencil to mark three positions of pre-drilled fixing holes on wall profiles (1) sides, the middle of wall profiles (1) 、 the position 150mm from top of wall profiles (1) 、 the position 150mm from bottom of wall profiles (1).

-Drill the marked holes using a 3mm HSS drill bit .Don't drill through both sides of one wall profile (1).

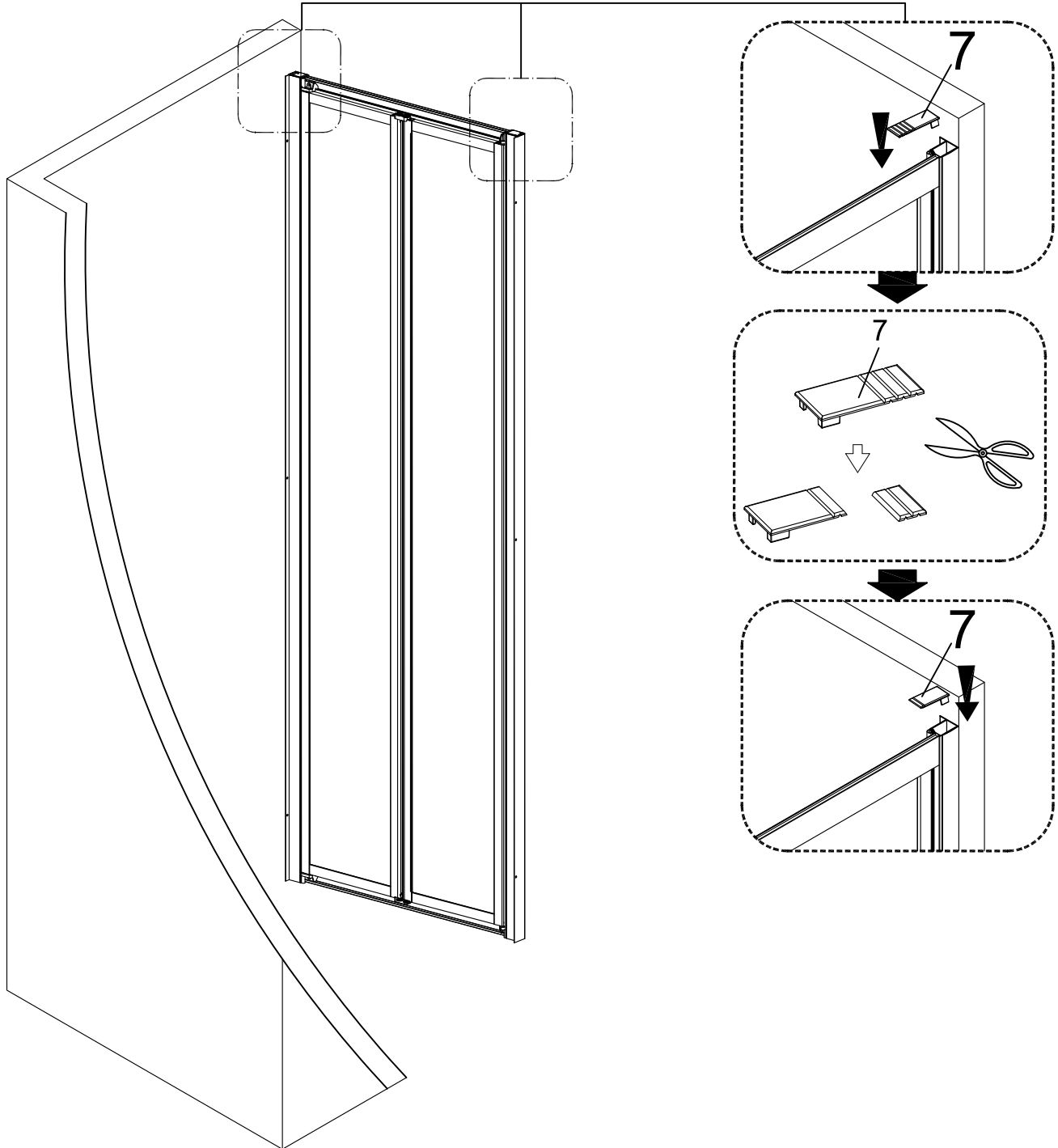
- Using screws (5) to fix the frame (6) to the wall profile (1) via cap (4).



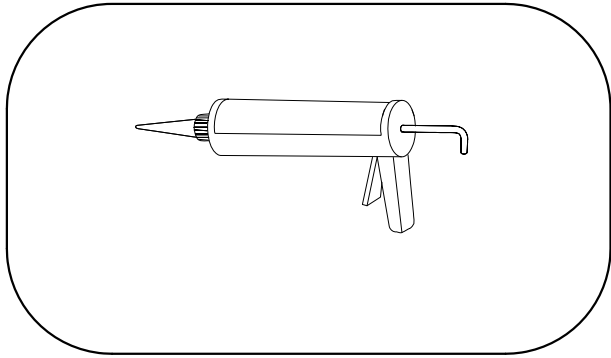
# ⑥ ASSEMBLY INSTRUCTIONS



-Using a scissor to cut reasonable size of the profile cover cap (7) to fix on the top of wall profile (1).

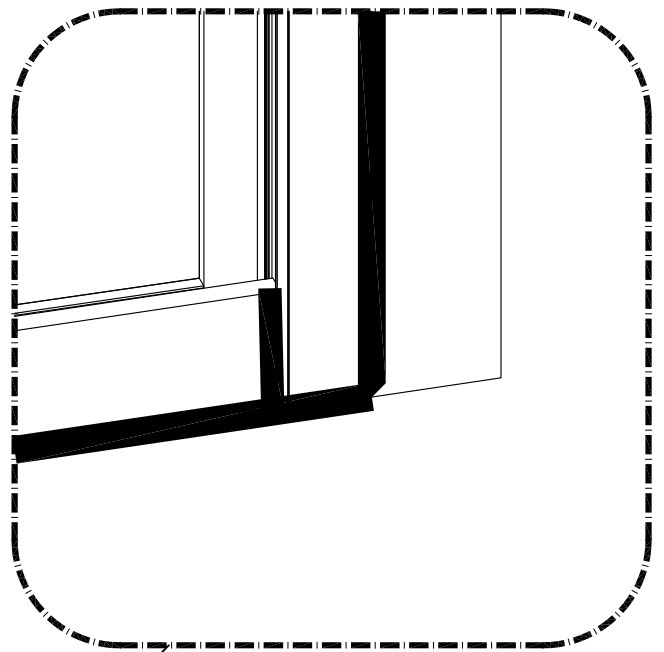
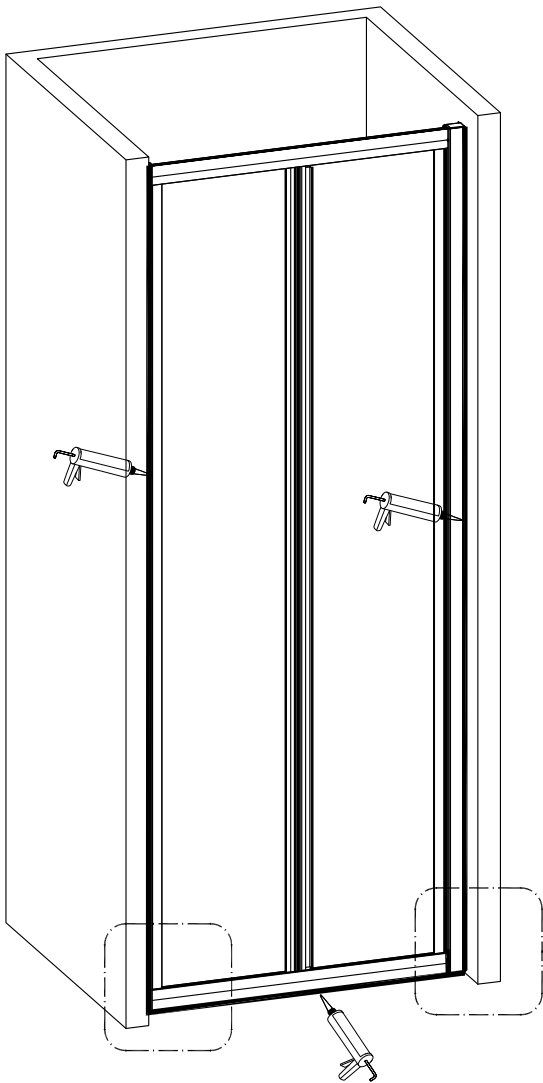


# 7 ASSEMBLY INSTRUCTIONS



-Apply silicone sealant to the outside of the folding door.

Plase note :- Do not apply silicone to the inside of the enclosure as this may affect water drainage.



sealant drying times may vary in cold damp conditions and will be extended where thicker beads of sealant are applied. Allow sealant to dry completely before exposing to water.

## CLEANING -general

Use only warm soapy water and damp cloth/sponge on a regular basis. Do not use abrasive scouring powders, chemicals or aerosol cleaners-these may result in damage to the surfaces, in particular, the plated component parts.

We have taken great care to ensure that this product reaches you in perfect condition. However should any parts be damaged or missing please contact your point of purchase. This does not affect your statutory rights. In addition if you require replacement parts your point of purchase will be happy to assist.