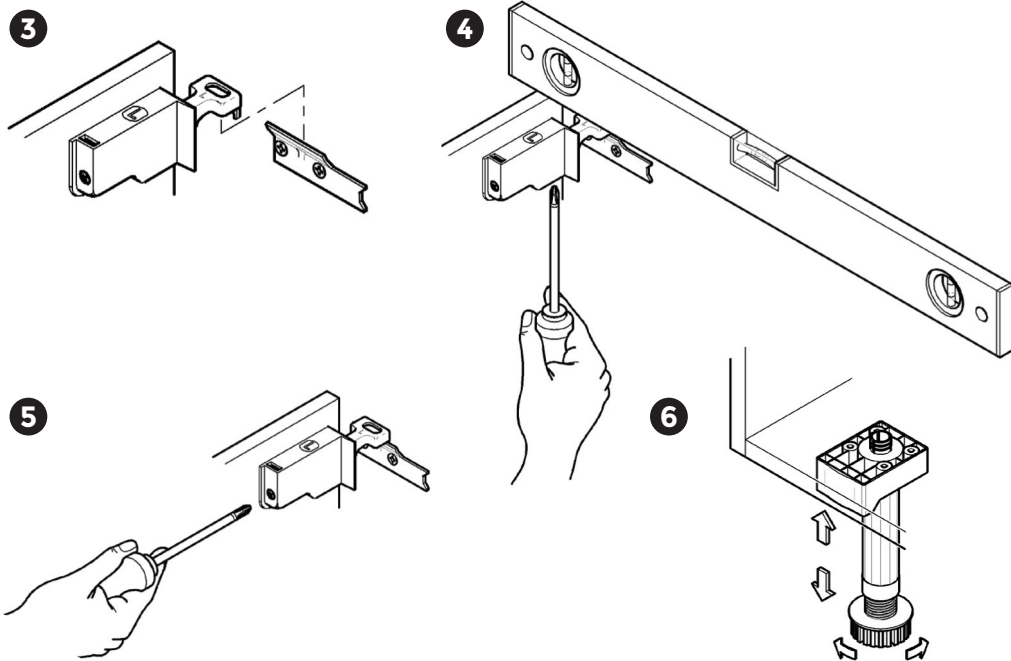


## Step 2 - Hang Unit

- Hang the unit on the wall mounting plates (3).
- Level the unit using your spirit level and adjusting the screw on the bottom of the hanging bracket (4).
- Once level screw on the front of the hanging bracket to tighten the unit to the wall (5).

**Note:** Full height vanity units stand on the floor so will come complete with fitted legs. To adjust the legs, unclip the plinth from the legs and adjust the legs to the desired height (6). Replace the plinth.



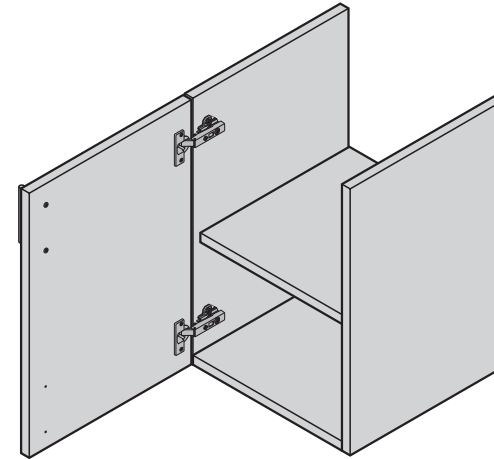
## Care and Maintenance

- This furniture is made of wood and has a water resistant finish. It should not be left wet.
- The quality of the finish is best maintained if it is wiped with a dry cloth after use.
- It should only be cleaned using a soft damp cloth followed by a dry cloth.
- Do not use bleach or any abrasive cleaner.

**We have taken great care to ensure that this product reaches you in perfect condition. However should any parts be damaged or missing, please contact your point of purchase. This does not affect your statutory rights.**

**In addition, if you require replacement parts your point of purchase will be happy to assist.**

# Vanity Unit Installation Instructions



**Important:** Ensure all cutouts for plumbing are carried out prior to installation.

Install the unit first **before** fitting the door following the instructions supplied with the unit.

**Please note:** Images are for illustration purposes only.

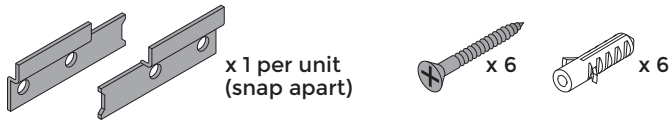
Please read this leaflet carefully before attempting to fit the doors to the unit.  
This leaflet contains information which must be made available to the end user.

Please check the product for imperfections before fitting the doors.  
Contact your point of purchase if an imperfection is found.

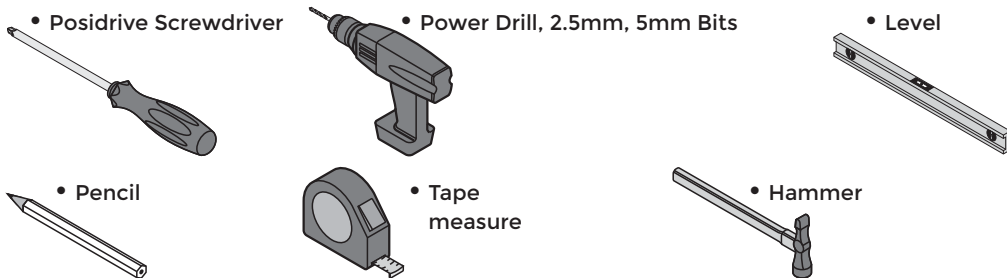
## General Safety Instructions

- Handle product with care.
- When drilling walls, check first for hidden pipes and cables.
- Use safety eyewear when drilling.
- Keep all small parts away from children.
- If the product is over 25 kg (see packaging), 2 people are required to carry and install the unit.

## Fixings and Fittings Supplied

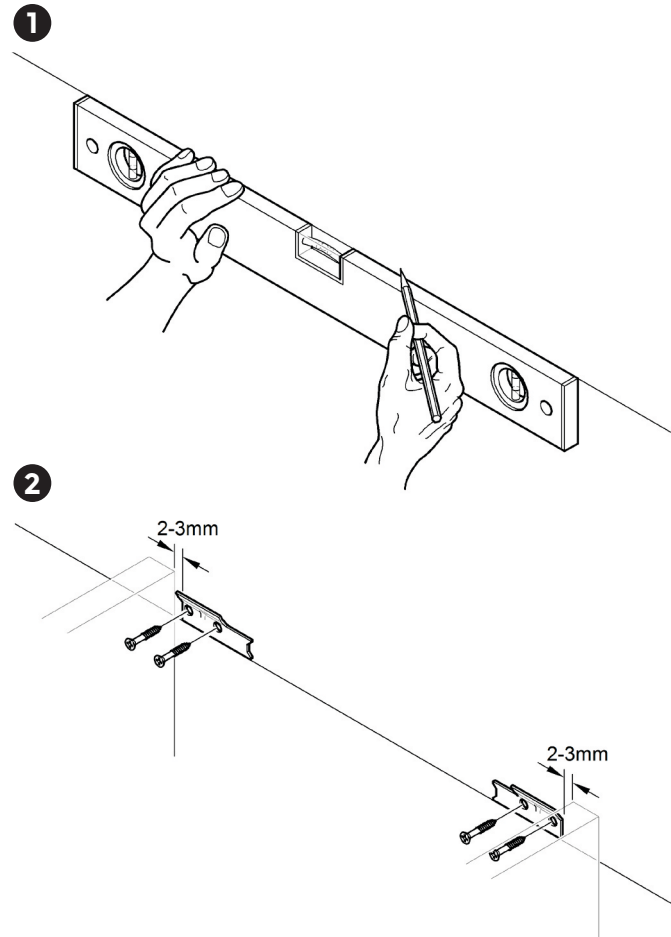


## Tools Required (not supplied)



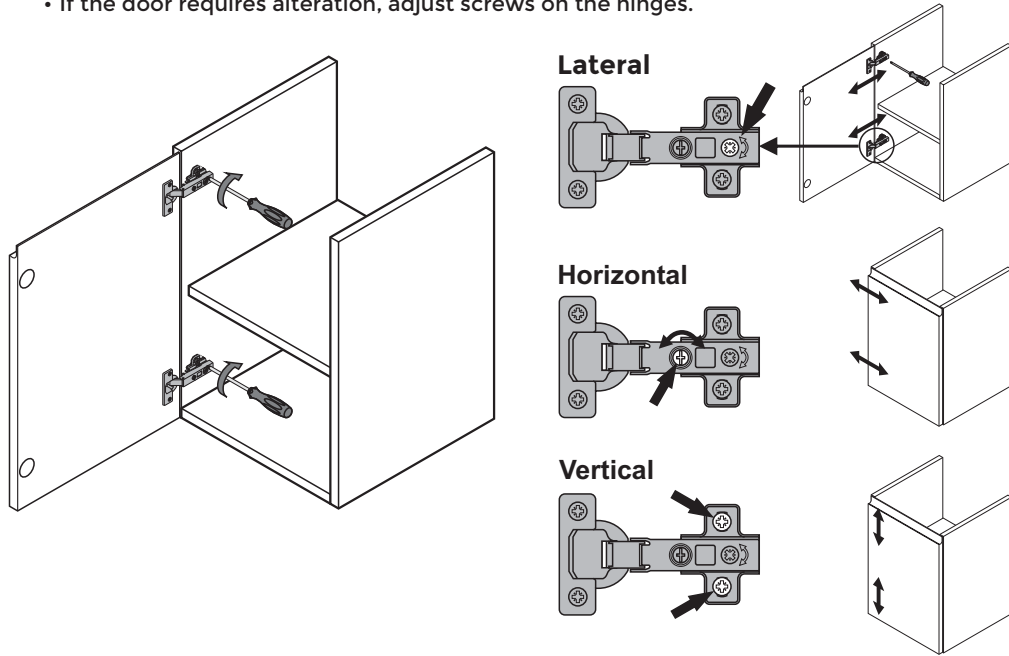
## Step 1 - Wall Fixings

- Decide on the height of the vanity unit and use a spirit level to draw a horizontal guideline (1).
- Mark out the internal dimensions of the unit making sure the plates are within the internal dimensions of the unit by 2-3 mm.
- Using a cordless drill along with the wall plugs and screws provided, fix the plates in place (2).
- If the wall is not solid, you will need to use your own fixings. Ensure that they are adequate to support the total weight of the unit as stated on the packaging.



### Step 3- Fix Door to Cabinet and Adjust Hinges

- This illustration shows the door being fitted to the left side. Reverse for right-hand.
- Screw the hinge and hinge plate assembly to the cabinet using a posidrive screwdriver.
- If the door requires alteration, adjust screws on the hinges.

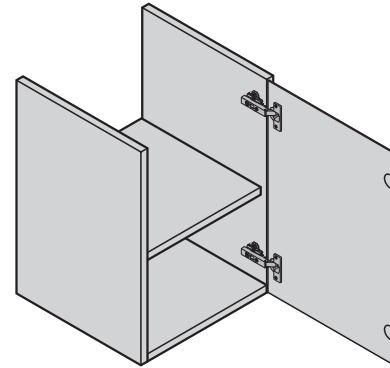


### Care and Maintenance

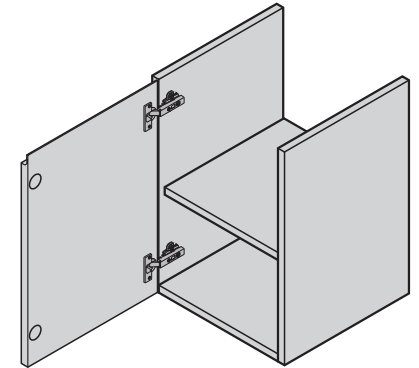
- This furniture is made of wood and has a water resistant finish. It should not be left wet.
- The quality of the finish is best maintained if it is wiped with a dry cloth after use.
- It should only be cleaned using a soft damp cloth followed by a dry cloth.
- Do not use bleach or any abrasive cleaner.

**We have taken great care to ensure that this product reaches you in perfect condition. However should any parts be damaged or missing, please contact your point of purchase. This does not affect your statutory rights. In addition, if you require replacement parts your point of purchase will be happy to assist.**

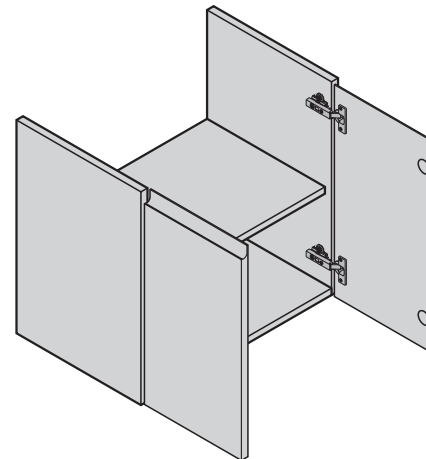
# Vanity Door Units with Integrated Handles Installation Instructions



Door on **right** side of 400mm cabinet. Hinges are fitted on the left side.



Door on **left** side of 400mm cabinet. Hinges are fitted on the right side.



600mm wide units with 2 doors

**Important:** On the 400mm unit, the door may be fitted to either the left or right side. Before attaching the door, decide which opening is required. The integrated handle must be at the top so ensure that the hinges are attached to the correct side of the door.

**Please note:** Images are for illustration purposes only.

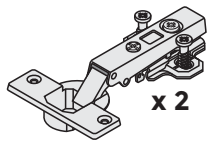
Please read this leaflet carefully before attempting to fit the doors to the unit.  
This leaflet contains information which must be made available to the end user.

Please check the product for imperfections before fitting the doors.  
Contact your point of purchase if an imperfection is found.

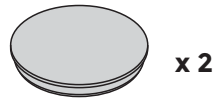
## General Safety Instructions

- Handle product with care.
- When drilling walls, check first for hidden pipes and cables.
- Use safety eyewear when drilling.
- Keep all small parts away from children.
- If the product is over 25 kg (see packaging), 2 people are required to carry and install the unit.

## Fixings and Fittings Supplied

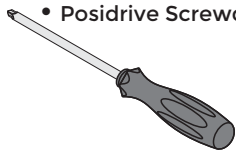


x 4  
12mm C/S screw



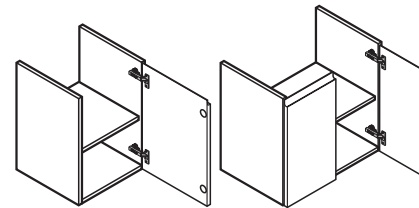
## Tools Required (not supplied)

- Posidrive Screwdriver

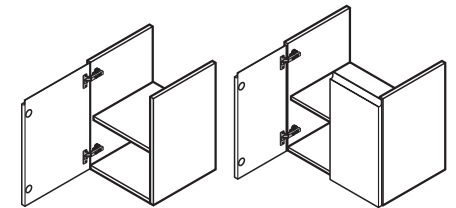


## Step 1 - Fit Hinges

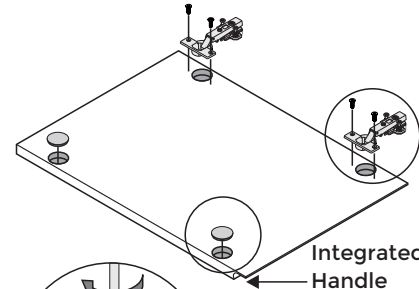
- Remove door from packaging and place on a flat surface.
- Fit the hinges to the door using a posidrive screwdriver.



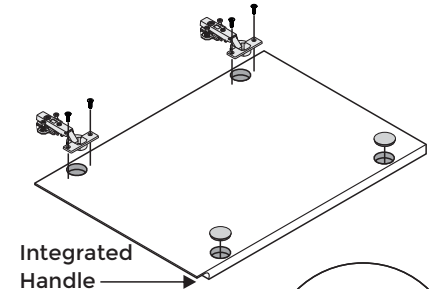
Door on **right** side of cabinet.  
Hinges are fitted on the **left** side.



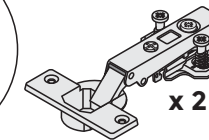
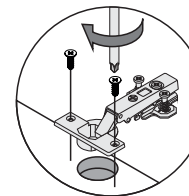
Door on **left** side of cabinet.  
Hinges are fitted on the **right** side.



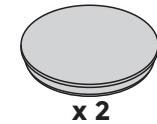
Integrated  
Handle



Integrated  
Handle

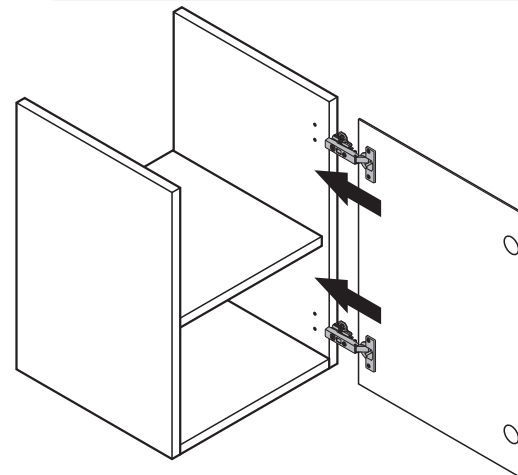


x 4  
12mm C/S screw



x 2

## Step 2- Position Door



- The door may be fitted to the left or right side of the cabinet. This illustration shows the door being fitted to the **right** side.
- Position the door so that the hinge plates align with the holes in the cabinet.