

# TECHNICAL DATA SHEET

Product Code: 653016

Product Description: iflo Windsor Soap Dish Holder

## Product Specification

Material:  
Zinc Alloy  
Ceramic

Fittings:

Concealed wall fixings

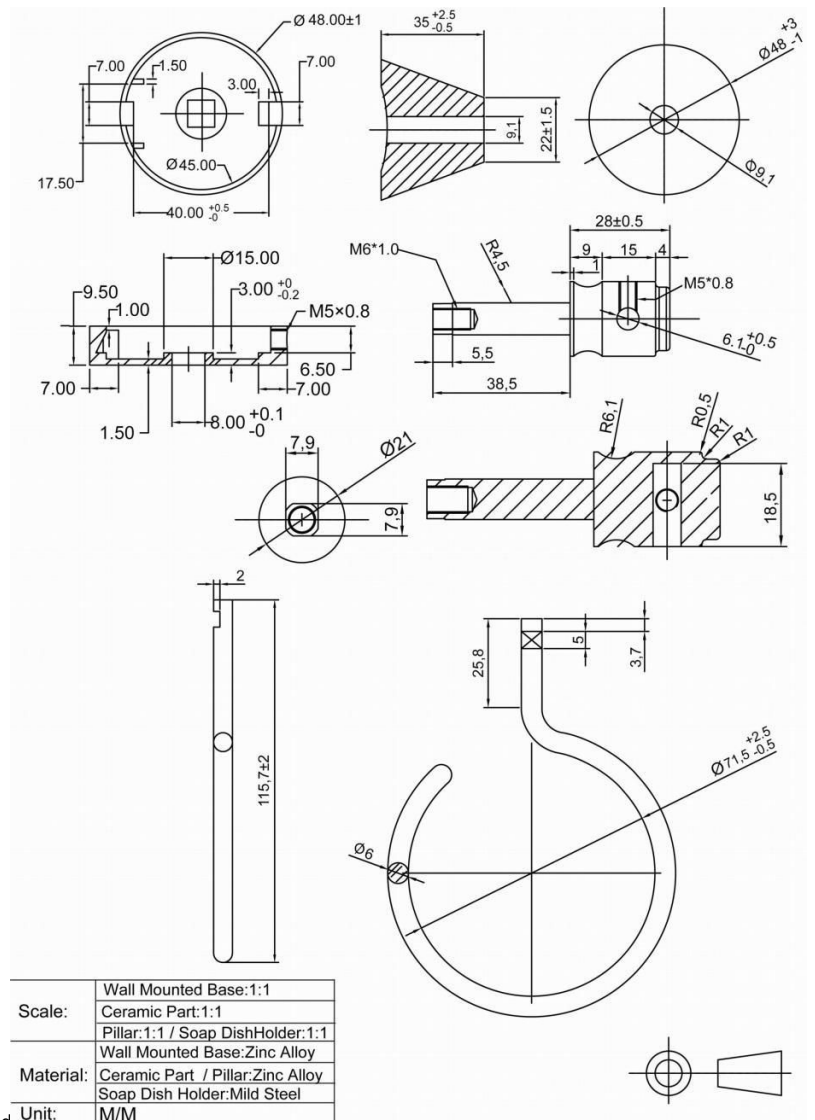
Systems:  
N/A



## Additional Information

Traditional styling

Complete with concealed wall fixings



Information contained within this specification sheet is believed to be correct at the time of printing but is not necessarily representative of the products available. Travis Perkins PLC reserves the right to change product details and price without prior notice. E&OE. [04/2013]