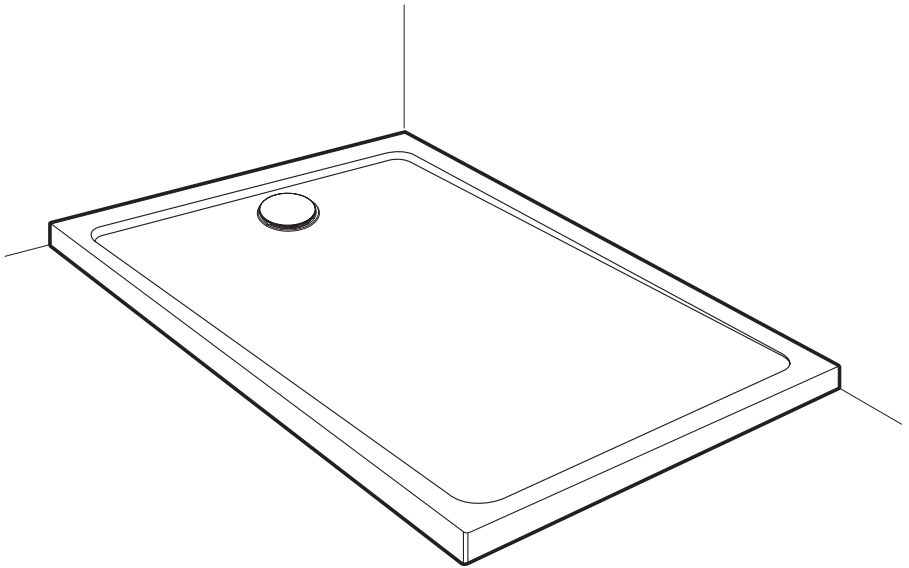

Shower Tray

Installation and User Guide



These instructions must be left with the user.

iflo

Introduction

Thank you for purchasing a quality City Plumbing product. To enjoy the full potential of your new product, please take time to read this guide thoroughly, having done so, keep it handy for future reference. The following pages aim to provide comprehensive installation instructions, plus advice on how to care and maintain your product. We recommend that the unit is installed by a qualified plumber or engineer.

Please Read Important Information

1. Store the product flat within its packaging until ready to install. **DO NOT** lean against the wall.
2. Ensure the tray is flat and level prior to install.
3. Read all of these instructions and retain this guide for later use.
4. Pass on this guide in the event of change of ownership of the installation site.
5. Follow all warnings, cautions and instructions contained in this guide.
6. **Warning!** This product is a two person lift.
7. Before installation, carefully remove all of the protective film from the tray for inspection.
8. Carefully unpack and check the tray for colour, size, flatness, general acceptability and compatibility with the shower enclosure and other bathroom furniture.
9. Check for transit damage.
10. Report any faults immediately to your supplier. No claims will be considered after installation.
11. Fitting this product is acceptance of quality.
12. **Caution!** Additional protective coverings such as a dust sheet should be used to protect the tray from damage from falling objects during installation.
13. We recommend this tray is fitted as part of a fully enclosed cubical. If this tray is fitted as a walk-in installation, it is expected that an amount of water will spill onto the open area of the floor. We would therefore advise fixing a threshold strip to minimize this.
Note: Where the shower tray comes into contact with the wall or plaster board surface, apply a liberal amount of silicone sealant before installation. This will help secure the shower tray in position and reduce any rubbing of the surfaces.
14. Hand tighten the waste to ensure a correct seal. Excessive overtightening can lead to damage.
Caution! DO NOT stand on waste outlet as damage may occur.
15. Once the waste pipe has been connected pour water into the tray to check the tray and pipe connection for correct drainage prior to final fix and tiling.
16. Excessive flow rates may lead to overflowing and leaking. Flow rate into the tray must not exceed flow rate of the shower waste. We recommend a drainage test is carried out to ensure the waste is adequate for the flow delivered.

-
- 17. The shower tray should be positioned so that the waste is easily accessible for maintenance.
 - 18. Water Spray may extend beyond the entrance of walk-in enclosures and we recommend tiling of the adjacent area.
 - 19. **Caution!** Take care when showering. Wet Tray surfaces can increase the risk of slipping, particularly when soaps, shampoos and other bathing products are used.
 - 20. This shower tray is designed for use with a 90 mm shower waste.

Recommended Usage

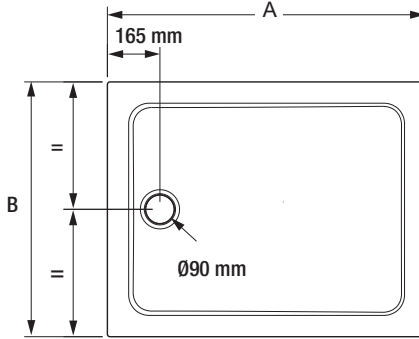
Domestic	✓	Heavy Commercial	✗
Light Commercial	✓	Healthcare	✓

Notification to designers, installers and users:

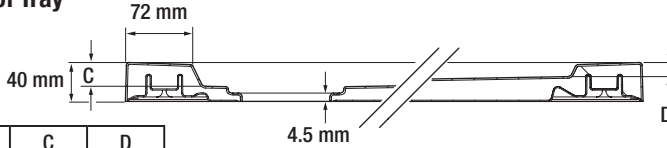
The majority of all shower trays will show an increase in the potential for slipping, when the surface is wet. This is particularly the case when soap, shampoo, bath oil etc. are used. The Construction Products Directive (89/106/EEC)".

Dimensions

Rectangular Shower Tray

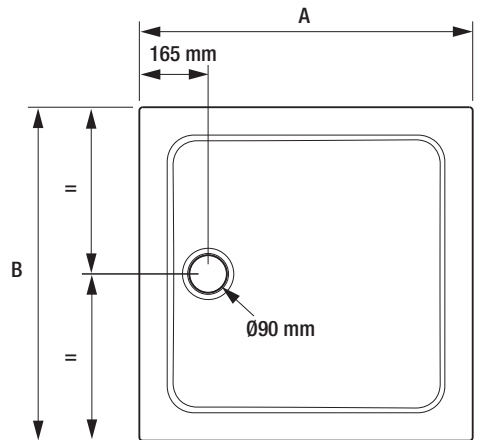


Side Profile of Tray



A	B	C	D
900	760	25	14
900	800	25	14
1000	700	25	12
1000	760	25	12
1000	800	25	12
1000	900	25	12
1100	800	25	12
1200	700	25	9
1200	760	25	9
1200	800	25	9
1200	900	25	9
1400	700	25	5
1400	800	25	5
1400	900	25	5
1500	800	24	3
1500	900	24	3
1600	700	24	4
1600	800	24	4
1700	700	24	4
1700	760	24	4
1700	800	24	4
1700	900	24	4

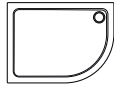
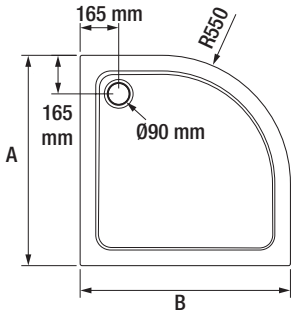
Square Shower Tray



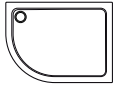
A	B	C	D
760	760	25	17
800	800	25	16
900	900	25	14
1000	1000	25	12

All Dimensions in mm

Quadrant Shower Tray



LH

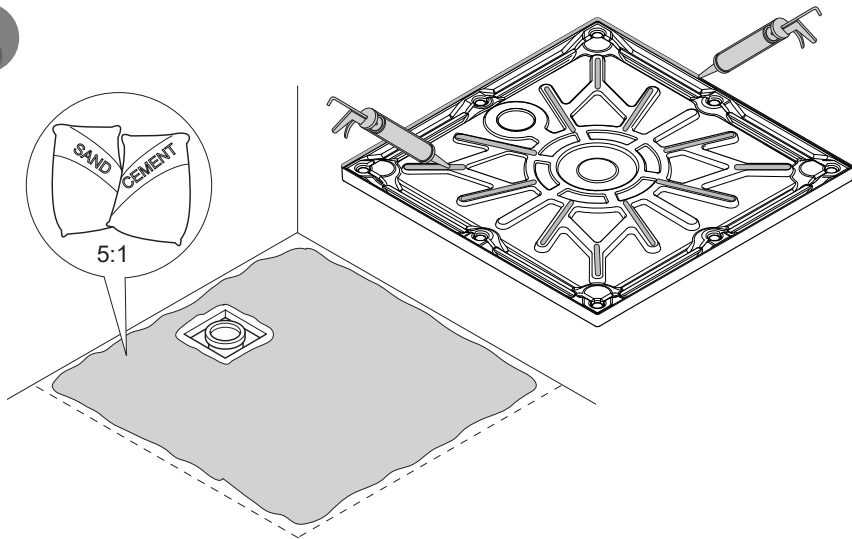


RH

A	B	C	D
800	800	25	16
900	900	25	14
1000	800	25	16
1000	1000	25	12
1200	800	25	16
1200	900	25	14

Installation - Trays

1



Carefully cover the waste to prevent any dirt and debris from entering while preparing a bed of sand and cement or construction adhesive for shower tray.

Ensure floor/substrate is level, solid and with no movement.

Ensure floor/substrate is dry, clean and dust/debris free.

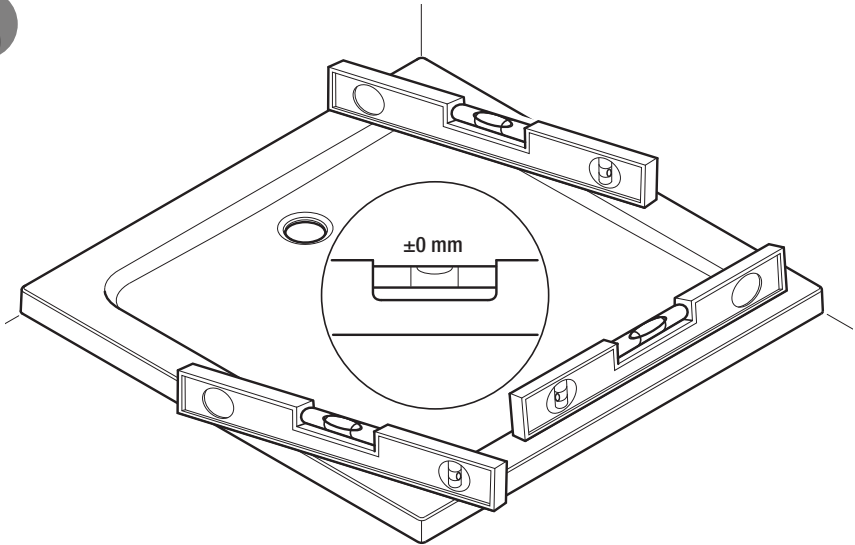
Ensure floor/substrate is suitably primed.

It is recommended to use a 5:1 ratio of sand and cement, ensuring adequate mortar distribution under the tray with a minimum 10 mm thickness.

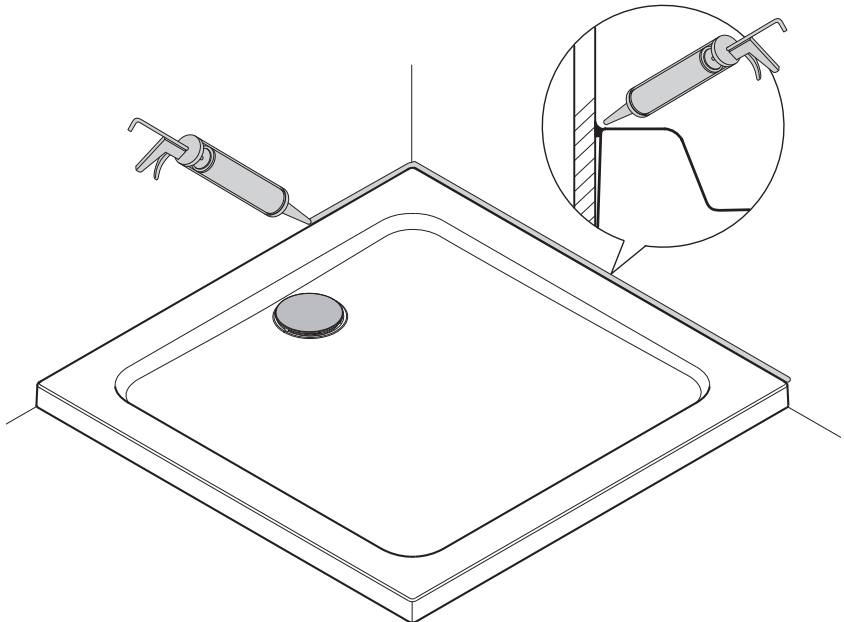
Alternatively, if this is not practical, a suitable construction adhesive may be used but this **MUST** be suitable for the substrate being adhered to (check construction adhesive label for suitability prior to use).

The construction adhesive should be applied to all contact points underneath the tray. The tray should then be pushed down onto the substrate until it is level in all planes.

Important! City Plumbing are not liable for the performance of 3rd party adhesives and materials.

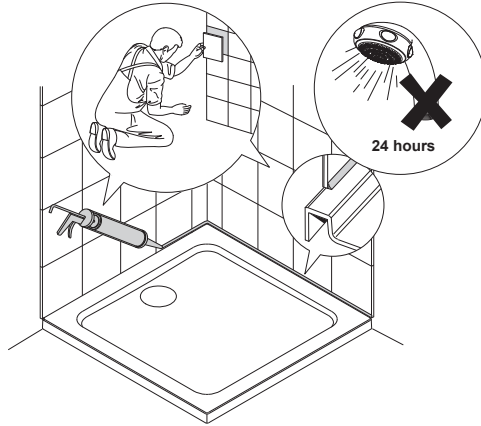
2

Place the shower tray on a flat surface and using a spirit level check that it is straight and flat and that the shower cubicle will sit on its surface correctly when fitted.

3

Apply silicone sealant where the tray meets the wall (in accordance with the manufacturer's instructions) to seal the shower tray to the wall.

4



Tile the walls down on top of shower tray. Apply silicone sealant (in accordance with the manufacturer's instructions) to seal the shower tray to the tiled wall surface.

Care and Maintenance

Warning! The use of grout/tile cleaners, scale removers, abrasive scourers, drain unblockers and other powerful detergents may lead to damage of metallic, plated and plastic surfaces, including the tray and shower waste.

The surface of this shower tray has good resistance properties to acids but should not come into contact with alkalis or organic solvents, such as caustic soda, dry cleaning agents and paint strippers and strong acids. Should the shower tray be subjected to any non-approved substance it must be cleaned immediately.

Only clean this shower tray with hot soapy water, the tray should be wiped dry with a lint free cloth.

Cleaners of gritty or abrasive nature should never be used.

Care should be taken when cleaning anti-slip surface.

Regular maintenance is essential to retain a high performance flow rate.

City Plumbing cannot be held responsible for damage or the effects e.g. discoloration, caused by third party substances and / or materials such bath or shower mats.

Guarantee & Contact Details:

Please contact your City Plumbing branch if you have any queries with this product.

This tray is guaranteed for 10 years.

UKCA 0155: SLIP RESISTANT RANGE

UKCA 0157: STANDARD GLOSSY RANGE

**UK
CA**

City Plumbing Supplies Holdings Ltd,
Highbourne House,
Eldon Way,
Crick, NN6 7SL.

CE

PTS Dublin, Unit 1, Block K,
Ballymount Drive,
Ballymount, Dublin,
Ireland D12 YP92

CITY
PLUMBING

Email: product.compliance@highbournegroup.co.uk