

Product Description: SOLDER RING ELBOW 45DEG

Product Specification

Material: Copper&Tin

Product Code & Size:

111997	P/R SOLD RING P21 15X15MM ELBOW 45DEG
112000	P/R SOLD RING P21 22X22MM ELBOW 45DEG
112001	P/R SOLD RING P21 28X28MM ELBOW 45DEG
112002	P/R SOLD RING P21 35X35MM ELBOW 45DEG

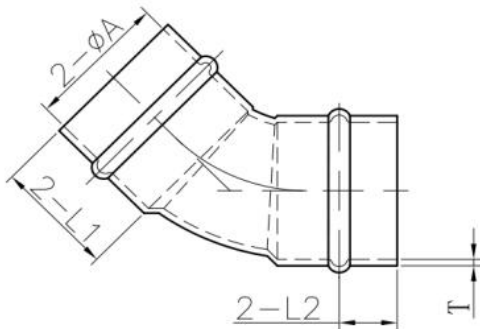


Technical Information:

Compliant to BS EN 1254-1

WRAS approved (Suitable for Drinking Water Installation)

Kitemark approved (Suitable for Gas Use)



SIZE	A	L1 (min)	L2 (min)	T (min)
15	15.06 ^{+0.09} ₀	14.0	6.5	0.7
22	22.07 ^{+0.11} ₀	19.5	10.0	0.9
28	28.07 ^{+0.11} ₀	22.5	11.0	0.9
35	35.09 ^{+0.14} ₀	28.5	13.5	1.0

Additional Information

For Gas:

MOP 3

max 70°C

Guarantee Period:

25 Years against Manufacturing Defects

The information contained within this specification sheet is believed to be correct and complete at the time of creation. All photographs/drawings are as a guide only and do not necessarily represent the products available. Travis Perkins PLC reserves the right to change product details and price without prior notice. E&OE. [04/2013]