

Helix Mag Mirror

Round & Square

Version No. 27.11.17

| | |
|---------------------|---|
| Product | Helix Round & Square Mag Mirror |
| Art. No. | Helix Round: 569916 & Helix Square: 958056 |
| Product Description | Magnifying mirror with 3x magnification on one side and plain mirror on reverse |



| Question | Answer |
|--|---|
| Nett weight (kg) | Helix Round: 0.9kg & Helix Square: 0.8kg |
| What orientation can the mirror be hung in? | The mirror is fixed orientation and can only be fixed to the wall by the mounting plate |
| What magnification is the mag mirror? | Both Helix Round & Square is 3x magnification on one side and plain on reverse |
| What is the maximum arm extention on the mag mirror? | Helix Round & Square has a maximum arm extention of 240mm |
| How long is the warranty? | 5 years from date of purchase on silvering coating on the mirror |
| | |
| | |
| | |
| | |
| | |
| | |
| | |
| | |

Electrical Safety Information

We recommend that all electrical bathroom products should only be fitted by a suitably qualified, Part P registered electrician in accordance with current IEE regulations.
Ensure mains power supply is switched off before starting installation.
Before drilling, ensure there are no hidden cables or pipes in the wall.

We recommend you receive the product before commencing with installation as all sizes and measurements are approximate.

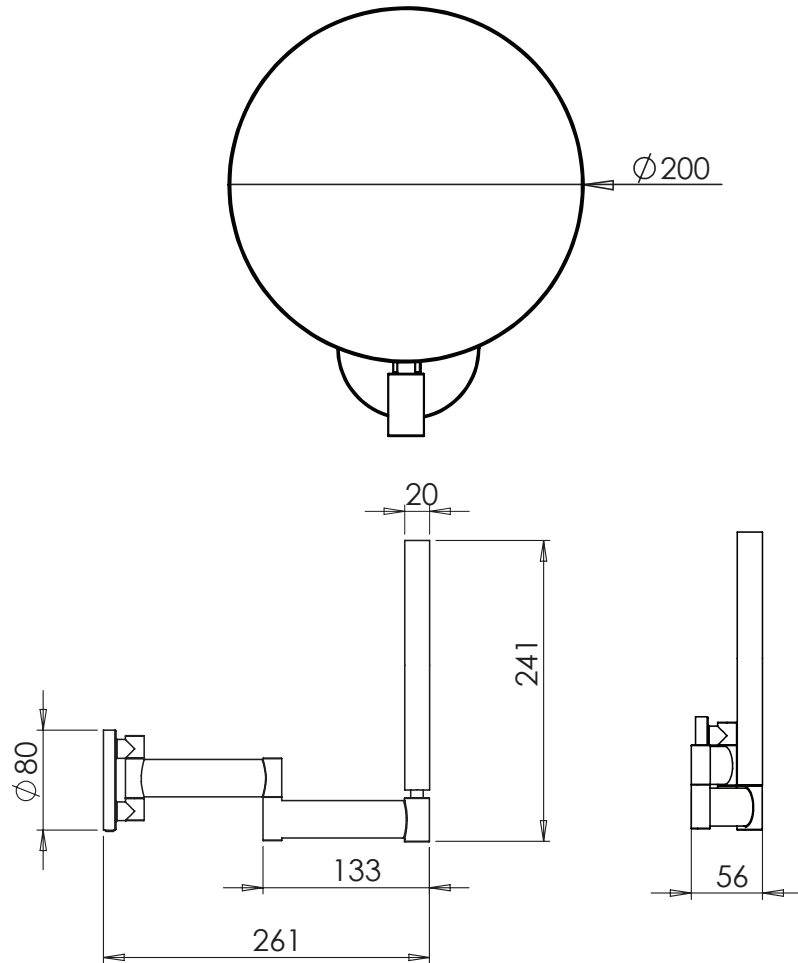
We try and ensure all measurements are as accurate as possible. In the interest of continuous product development, we reserve the right to alter specification as necessary. E & OE.

Helix Mag Mirror

Round & Square

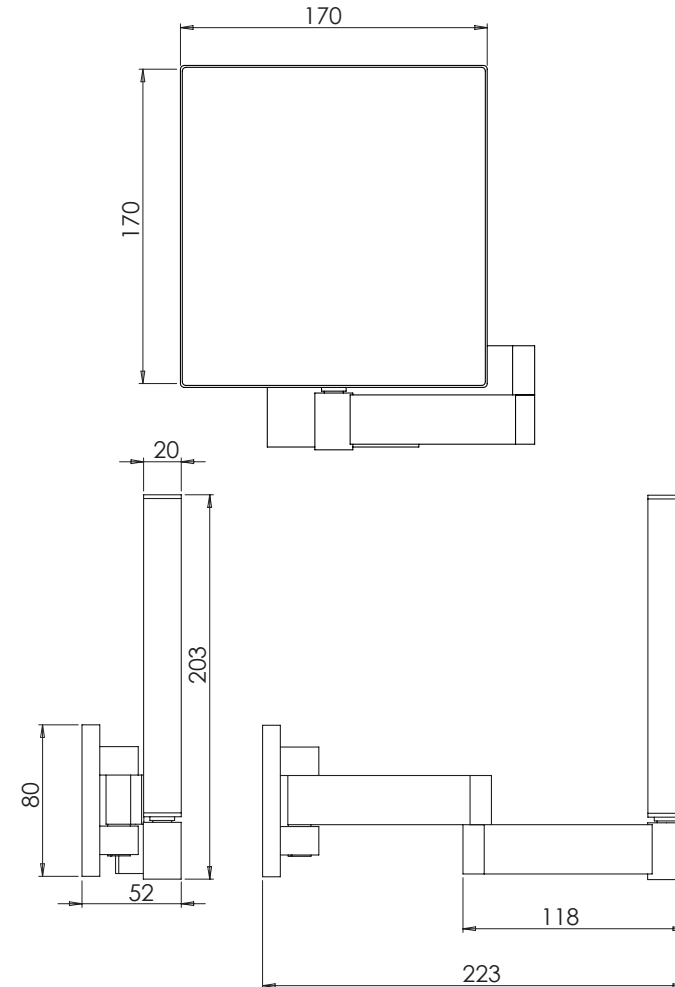
Helix Round

Art no. 569916



Helix Square

Art no. 958056



Electrical Safety Information

We recommend that all electrical bathroom products should only be fitted by a suitably qualified, Part P registered electrician in accordance with current IEE regulations.

Ensure mains power supply is switched off before starting installation.

Before drilling, ensure there are no hidden cables or pipes in the wall.

We recommend you receive the product before commencing with installation as all sizes and measurements are approximate.

We try and ensure all measurements are as accurate as possible. In the interest of continuous product development, we reserve the right to alter specification as necessary. E & OE.