

# TECHNICAL DATA SHEET

**Product Code:** 159250

**Product Description:** Iflo 760x760 Tray Standard

**Product Specification**

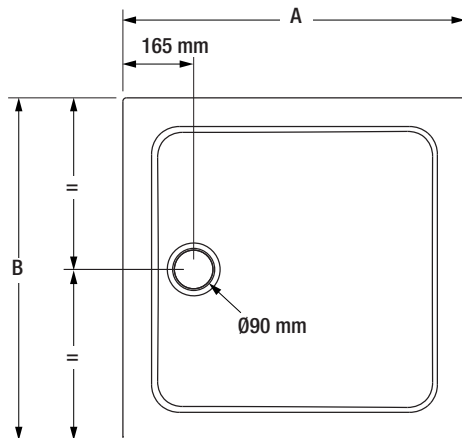
- Acrylic capped ABS, stone resin filled
- 90 mm waste hole
- 40 mm slimline tray height



**Additional Information**

- Made in the UK
- Fully compliant to the requirements of BS EN 14527
- Recyclable packaging used across the range
- Riser kit and waste available separately

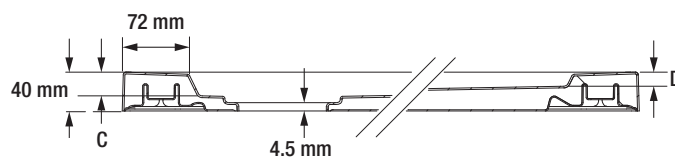
**Square Shower Tray**



A	B	C	D
760	760	25	17
800	800	25	16
900	900	25	14
1000	1000	25	12

All Dimensions in mm

**Side Profile of Tray**



**EU GPSR Single Point of Contact:** [Product.compliance@highbournegroup.co.uk](mailto:Product.compliance@highbournegroup.co.uk)

The information contained within this specification sheet is believed to be correct and complete at the time of creation. All photographs / drawings are as a guide only and do not necessarily represent the products available. The Highbourne Group reserves the right to change product details and price without prior notice.