

Basic set for 4-hole rim mounted bath mixer

Finish: Article Number: **13244180**



Description

product features

- consists of: basic set, shower holder, shower hose
- maximum pull-out length of hand shower: 1.60 m
- maintenance opening required
- suitable for 4-hole rim mounted bath mixer
- connection thread: G 1/2
- connection dimension: DN15
- ceramic valves hot/cold 90°

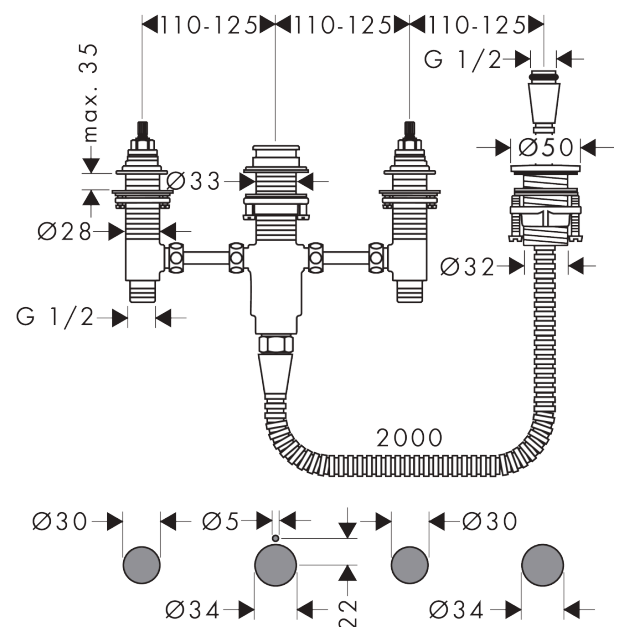
Certificates / Sustainability



Product image



Scale drawing



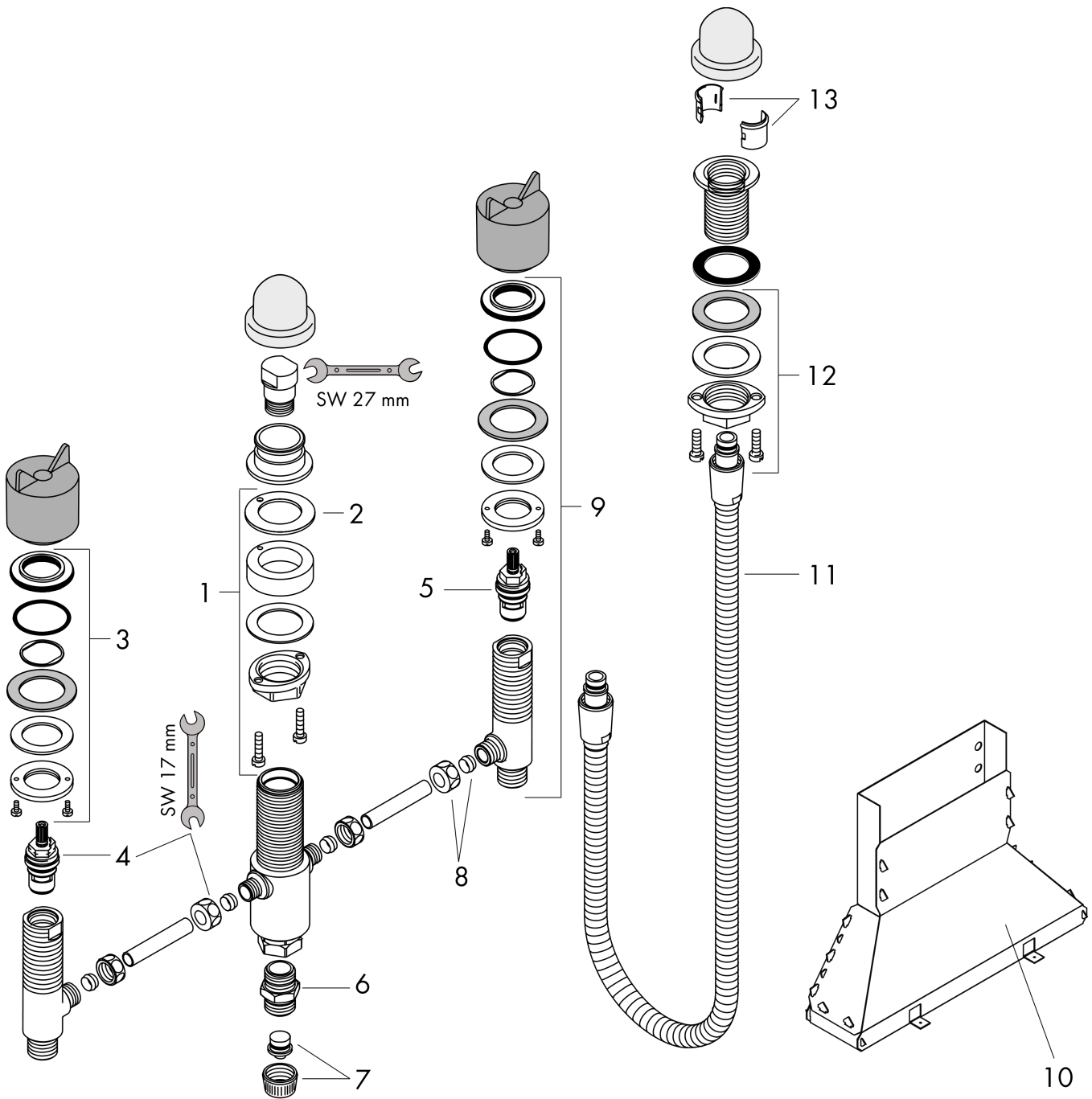
Basic set for 4-hole rim mounted bath mixer

Finish: Article Number: **13244180**



Exploded Drawing

Year of production: >06/09



Basic set for 4-hole rim mounted bath mixer

Finish: Article Number: **13244180**



Spare part list

Year of production: >06/09

Pos.	Description	Article Number	PC	PU
1	fixing set for 4 hole bath mixer spout	96080000	10	1
2	seal	92582000	1	1
3	fixing set for shut off unit	96078000	8	1
4	shut off unit right closing	94009000	9	1
5	shut off unit left closing	94008000	9	1
6	connecting thread	97160001	8	1
7	plug	97568000	3	1
8	squeezing connection	88513000	5	1
9	stop valve cpl.	95660000	14	1
10	Secuflexbox	28389000	11	1
11	shower hose	97161000	12	1
12	fixing set (Ø 32)	13961000	7	1
13	insert for shower holder	96942000	4	1
a	fixation extension 35 mm	13898000	12	1