

Mira Activate High Pressure & Pumped Dual Outlet Digital Mixer



Product Information

Description	Colour	Product No.
Mira Activate Dual, Rear Fed (High Pressure/Combi)	Chrome	1.1903.089
Mira Activate Dual, Rear Fed (Pumped for Gravity)	Chrome	1.1903.093
Mira Activate Dual, Ceiling Fed (High Pressure/Combi)	Chrome	1.1903.088
Mira Activate Dual, Ceiling Fed (Pumped for Gravity)	Chrome	1.1903.092

Features & Benefits

Temperature control

Thermostatic temperature stability with digital intelligence

Digital user interface with temperature and flow display

Variable flow control

Maximum temperature setting for increased safety

Easy to fit and maintain

Easy to install, single piece ceiling fed fittings assembly

Multi-fit deluge overhead can be installed through ceiling, stud wall or solid wall

Rear fed fittings option suitable for wall mounted installations

Push fit isolators

Long life filters

For your customer

Award winning Mira Switch 4 spray showerhead

Large 250mm deluge head

Connected Mira app offers secondary control and remote operation

User adjustable temperature, flow and duration showering pre-sets

Eco mode reduces water flow for more responsible water use

Additional wireless remote control sold separately



To download other resources, and for more information and advice on our products just visit: www.mirashowers.co.uk



Product Specification

Tech Details

Installation Units & Fittings

Water Entry Points - Back, Rear Fed; Top, Ceiling Fed

Inlet Connections: 15mm Push Fit (supplied)

Data Connection to Digital Mixer: Low Voltage Data Cable

Digital Mixer

Inlet Connections: 15mm Push Fit (supplied)

Outlet connection: 15mm Push Fit (supplied)

Data Connection to control unit and fittings: Low Voltage Data Cable

Supply voltage: 230v +10%

Supply rating: 3 amp

Supply Conditions (hot and cold)

Minimum maintained pressure: Pumped: 0.01 bar (10 cm head);
High Pressure: 1 bar (10 metre head)

Maximum maintained pressure: Pumped: 1.0 bar (10 metre head);
High Pressure: 5.0 bar (50 metre head)

Maximum static pressure: Pumped: 1.0 bar (10 metre head);
High Pressure: 10.0 bar (100 metre head)

Performance

Flow rate: Adjustable flow rate from 6 l/min to 12 l/min at 0.1 bar (Pumped for Gravity); 4 l/min to 16 l/min at 1 bar (High Pressure)

Temperature stability: $\pm 1^\circ\text{C}$

Safety Features

Phased shutdown: Yes

Factory set to safe max temp

Approvals

WRAS approved (Water Regulations Advisory Scheme)

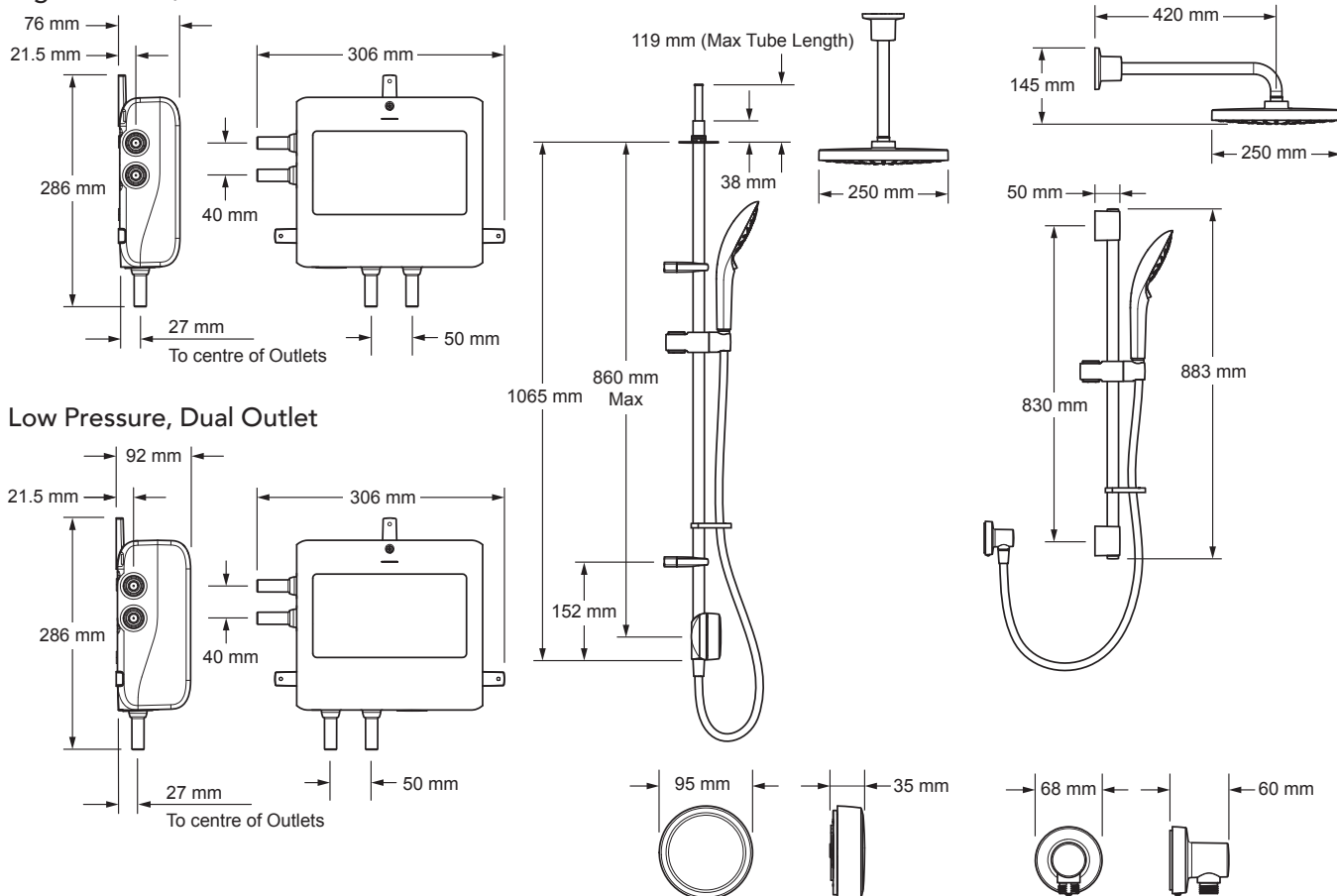
TMV2 approved

BEAB approved

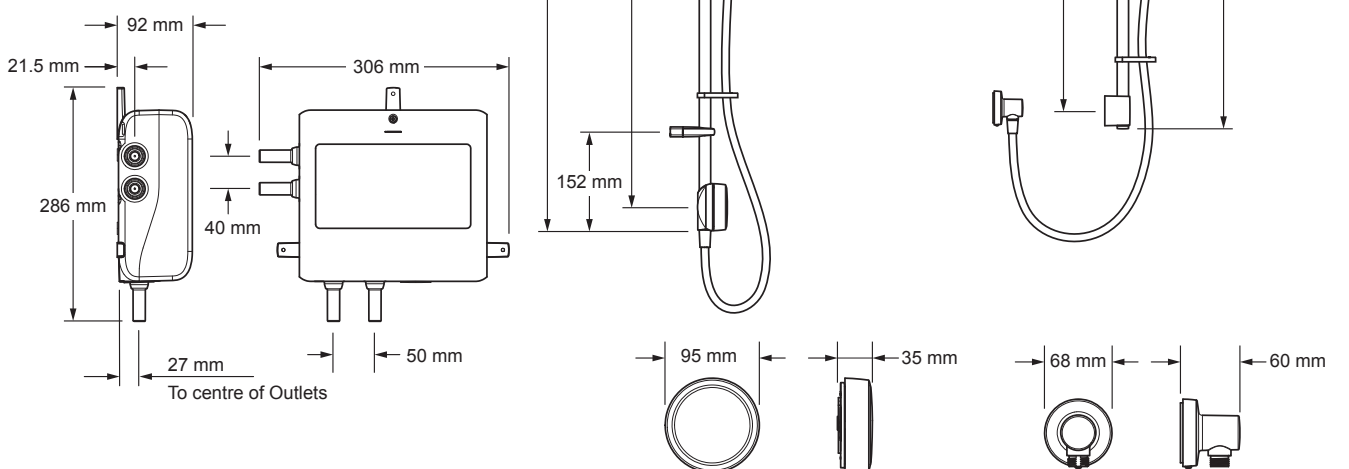


Dimensions

High Pressure, Dual Outlet



Low Pressure, Dual Outlet



To download other resources, and for more information and advice on our products just visit:
www.mirashowers.co.uk

